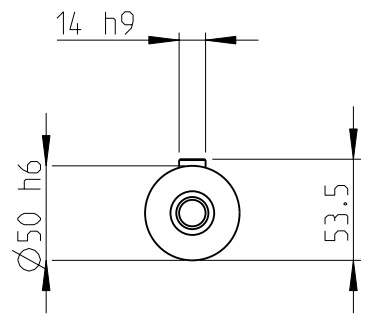
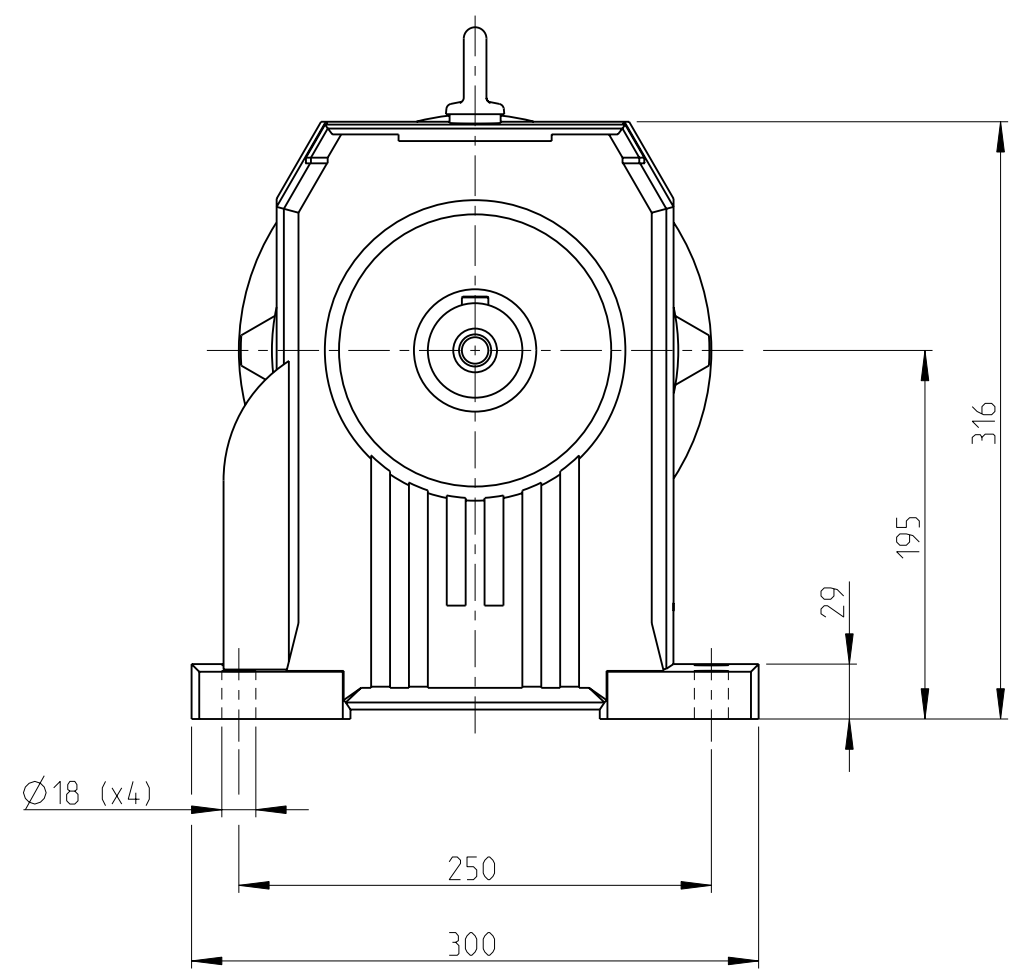
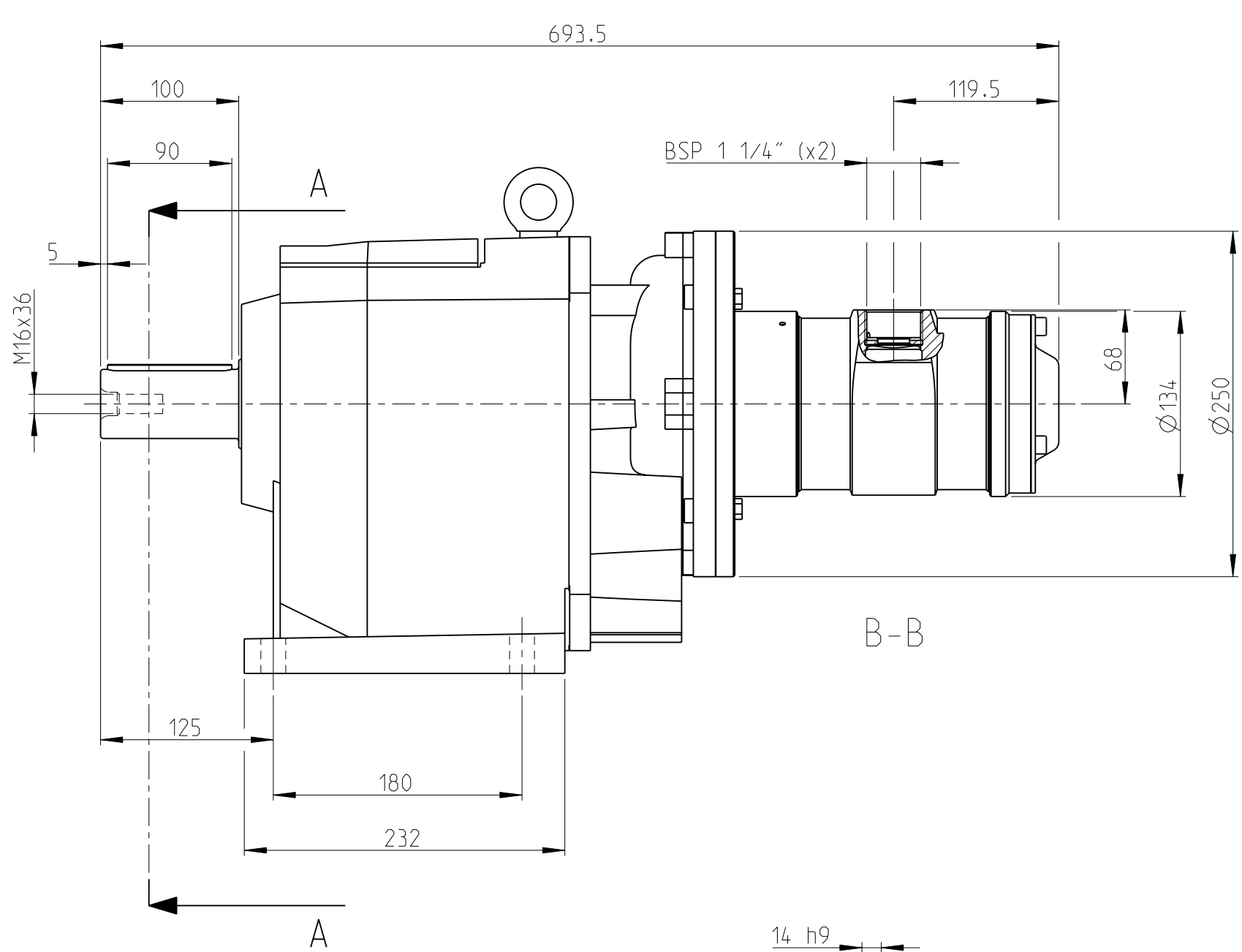


Model name	LZL35-BF613-A	Rev.Ver	0.0
Drawing name	LZL35-BF613-A	Rev.Ver	0.0

1 2 3 4 5 6 7 8 9 10



MOTOR NAME	ORDERING NO.
LZL35-BF613-A-029	8411 1813 43
LZL35-BF613-A-048	8411 1813 68

Tolerances, if not indicated, according to:		-	-	-	-	-
AC-STD		-	-	-	-	-
Name LZL35-BF613-A					Secrecy class	
Material -					1102 K/-	
					CAD Pro/E	
Scale 1:4		Format A3	Family -	Compare -		Drawing owner T00
Drawn F GRINELL		Blank -		Replaces -		
Transferred from -		Cons.class 1295 K/-	Rev 0	Status Design	Designation LZL35-BF613-A	
		Mass/Volume -	Date 2013-05-31	Sheet 1 (1)		

This document is our property and shall not without our permission be altered, copied, used for manufacturing or communicated to any other person or company.

Note	Pos.	Modified from	Date	Intr.
0	-	-	-	-

A
B
C
D
E
F
G