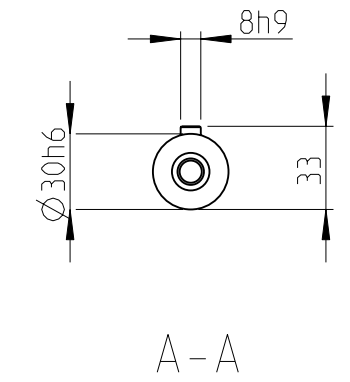
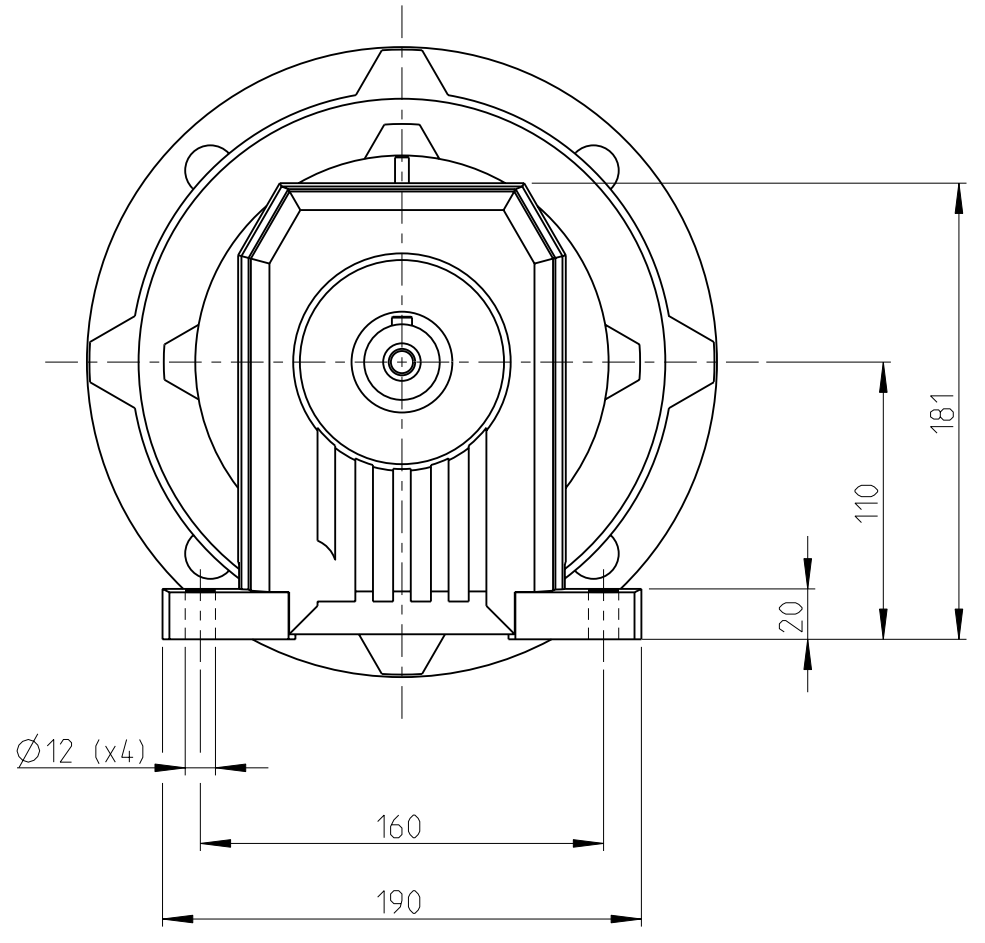
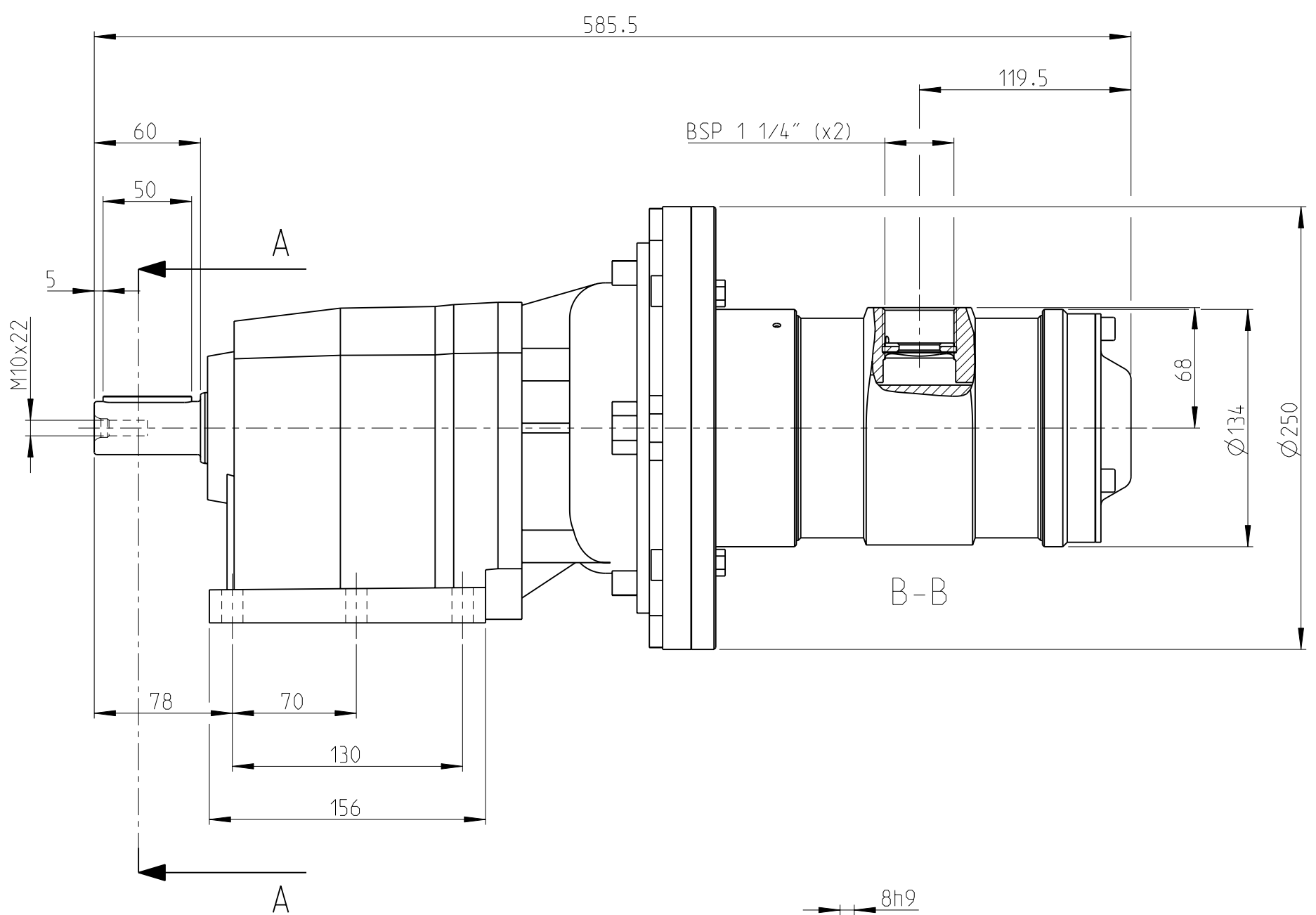


Model name: LZL35-BF322-A
 Drawing name: LZL35-BF322-A
 Rev. Ver: 0.1
 Rev. Ver: 0.0



MOTOR NAME	ORDERING NO.
LZL35-BF322-A-007	8411 1813 01
LZL35-BF322-A-011	8411 1813 27

Tolerances, if not indicated, according to:		-	-	-	-	-
AC-STD		-	-	-	-	-
Name: LZL35-BF322-A					Secrecy class: -	
Material: -					1102 K/-	
-					CAD Pro/E	
Scale: 1:3		Format: A3	Family: -	Compare: -		Drawing owner: TOO
Drawn: F GRINELL		Blank: -	Replaces: -			
Transferred from: -		Cons.class: 1295 K/-	Rev: 0	Status: In Work	Designation: LZL35-BF322-A	
		Mass/Volume: -	Date: 2013-05-30	Sheet 1 (1)		

Note	Pos.	Modified from	Date	Intr.
0	-	-	-	-

This document is our property and shall not without our permission be altered, copied, used for manufacturing or communicated to any other person or company.