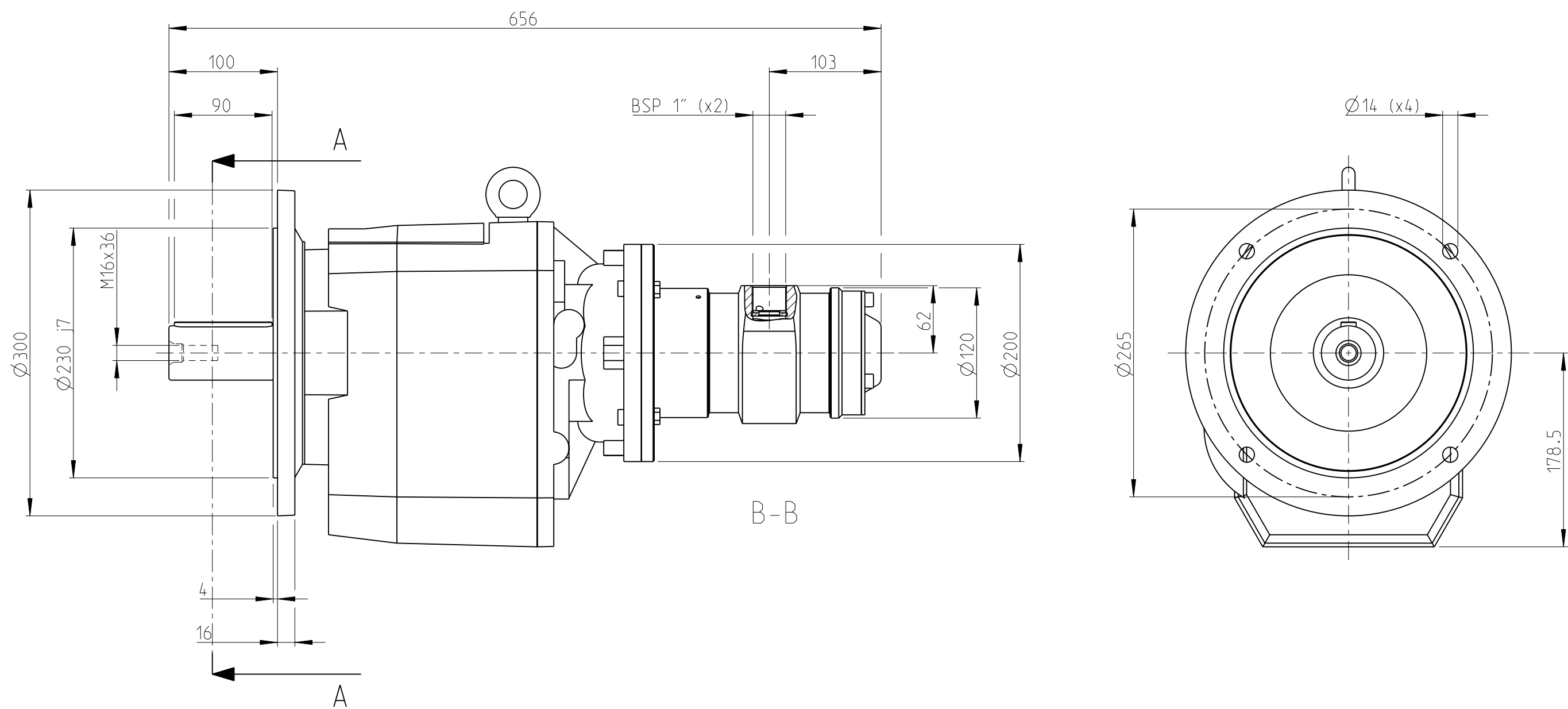
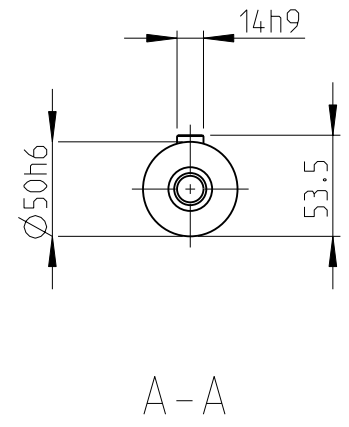


Model name LZL25-BF613-B Rev.Ver. 0.0  
 Drawing name LZL25-BF613-B Rev.Ver. 0.0



MOTOR NAME	ORDERING NO.
LZL25-BF613-B-059	84 11 1812 51
LZL25-BF613-B-0114	84 11 1812 77
LZL25-BF613-B-165	84 11 1812 94



Tolerances, if not indicated, according to:		-	-	-	-	-
AC-STD		-	-	-	-	-
Name LZL25-BF613-B					Secrecy class	
Material -					1102 K/-	
					CAD Pro/E	
Scale 1:4		Format A3	Family -	Compare -		Drawing owner TOO
Drawn F GRINELL		Blank -	Replaces -			
Transferred from -		Cons.class 1295 K/-	Rev 0	Status Design	Designation LZL25-BF613-B	
		Mass/Volume -	Date 2013-05-30	Sheet 1 (1)		

Note	Pos.	Modified from	Date	Intr.
0	-	-	-	-

This document is our property and shall not without our permission be altered, copied, used for manufacturing or communicated to any other person or company.