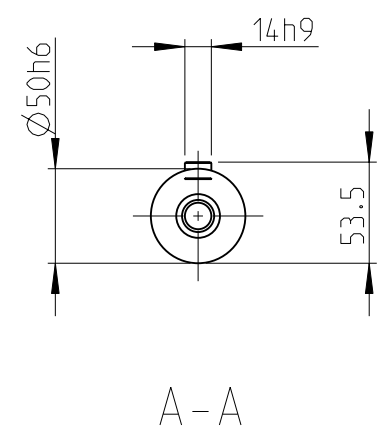
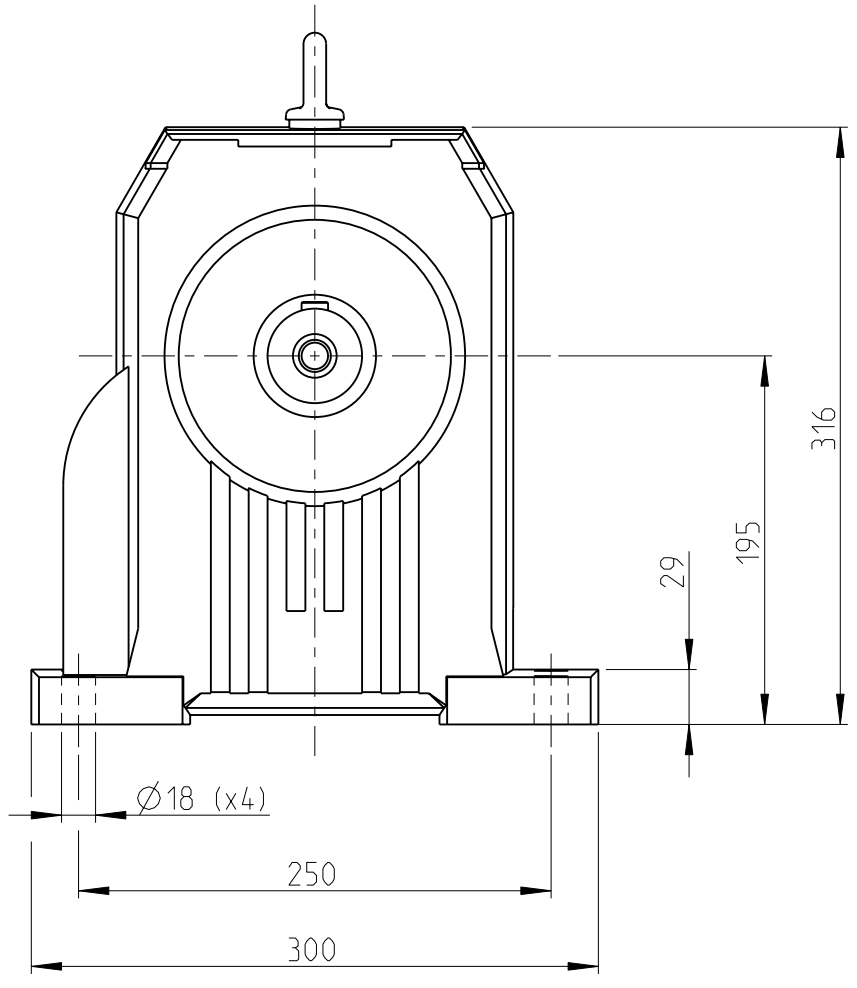
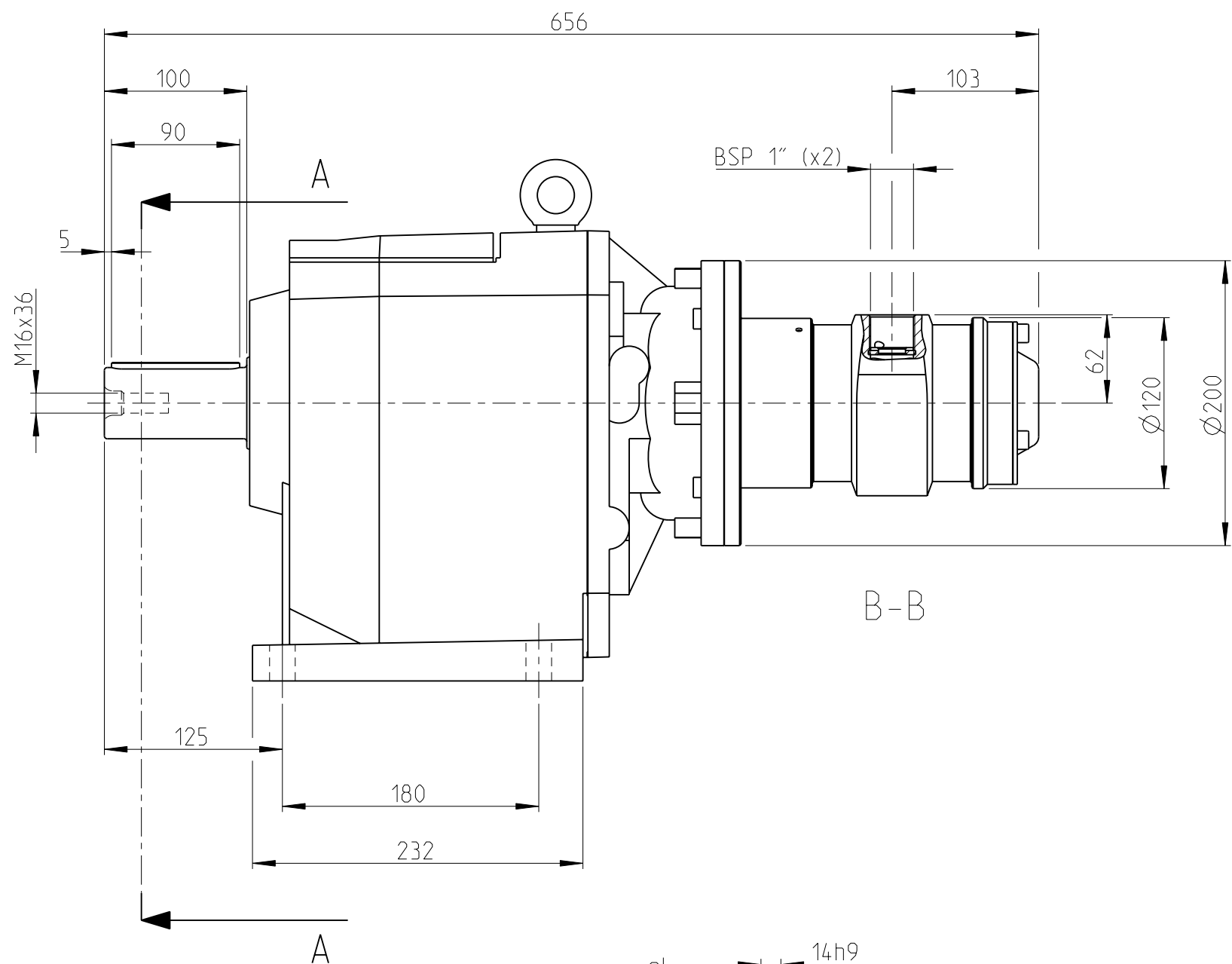


Model name LZL25-BF613-A Rev.Ver 0.1  
 Drawing name LZL25-BF613-A Rev.Ver 0.1



MOTOR NAME	ORDERING NO.
LZL25-BF613-A-059	8411 1812 44
LZL25-BF613-A-0114	8411 1812 69
LZL25-BF613-A-165	8411 1812 85

Tolerances, if not indicated, according to:		-	-	-	-	-
AC-STD		-	-	-	-	-
Name LZL25-BF613-A					Secrecy class	
Material -					1102 K/-	
					CAD Pro/E	
Scale 1:4		Format A3	Family -	Compare -		Drawing owner TOO
Drawn F GRINELL		Blank -		Replaces -		
Transferred from -		Cons.class 1295 K/-	Rev 0	Status Design	Designation LZL25-BF613-A	
		Mass/Volume -	Date 2013-05-30		Sheet 1 (1)	

Note	Pos.	Modified from	Date	Intr.
0	-	-	-	-

This document is our property and shall not without our permission be altered, copied, used for manufacturing or communicated to any other person or company.