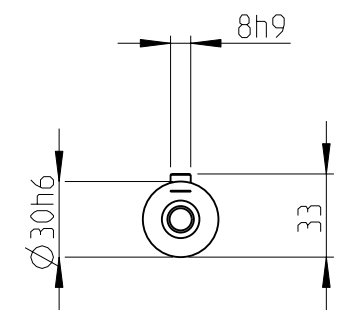
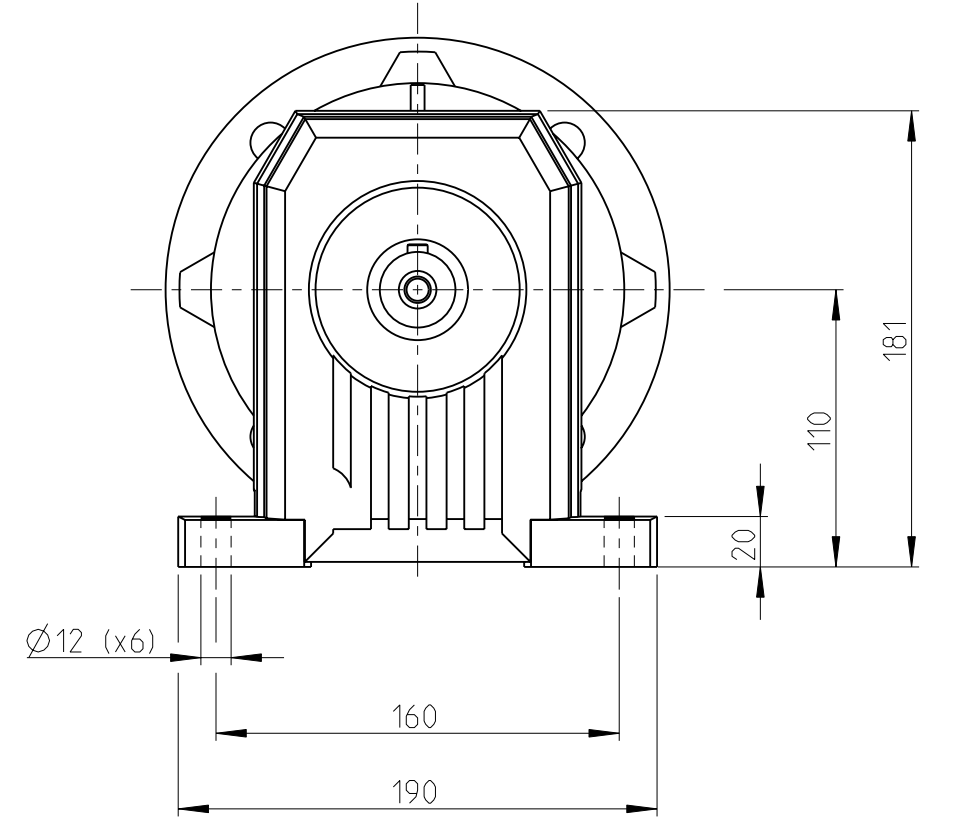
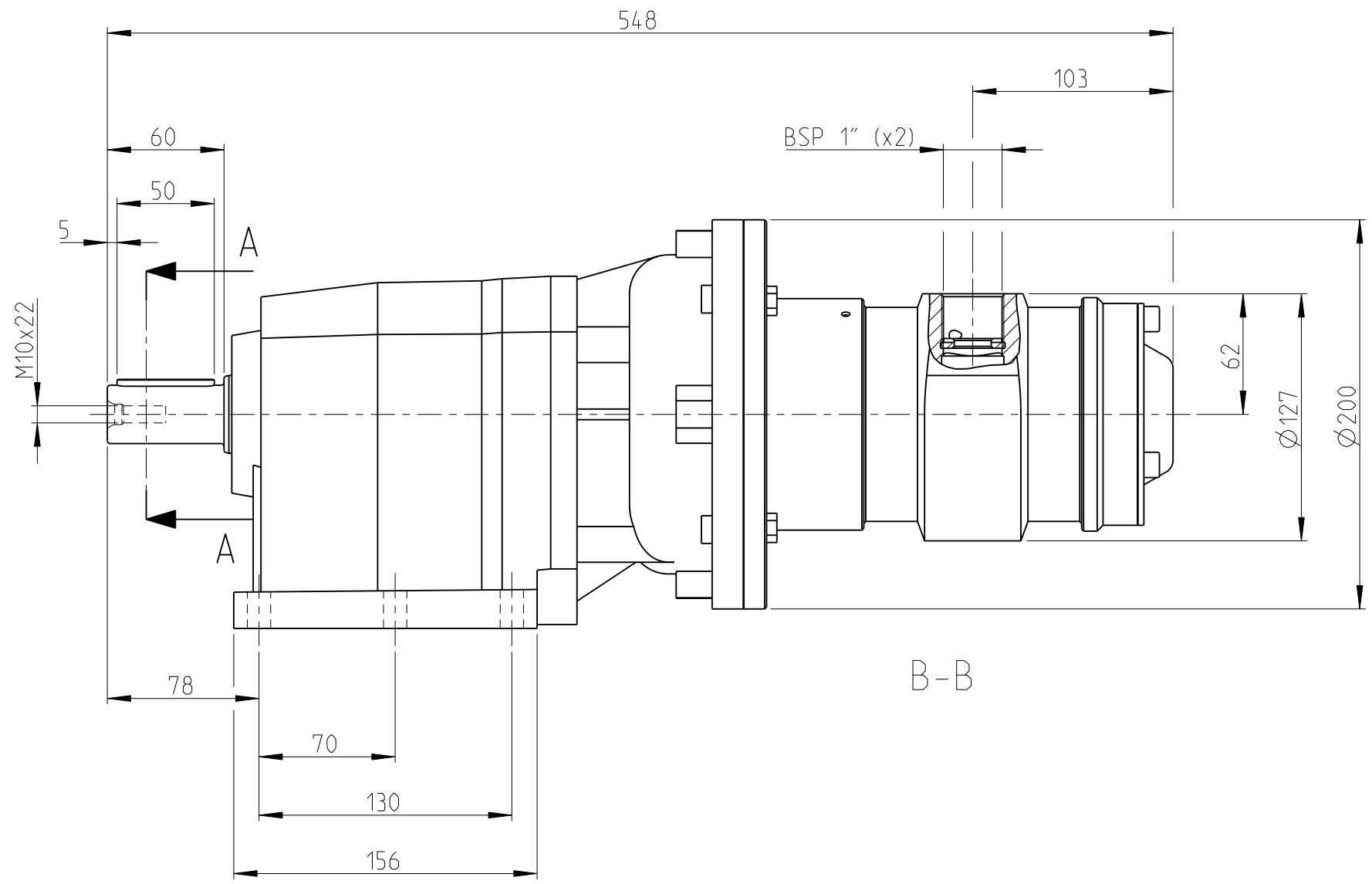


Model name LZL25-BF322-A Rev.Ver 0.1
 Drawing name LZL25-BF322-A Rev.Ver 0.1

1 2 3 4 5 6 7 8 9 10



MOTOR NAME	ORDERING NO.
LZL25-BF322-A-011	8411 1811 86
LZL25-BF322-A-018	8411 1812 02

This document is our property and shall not without our permission be altered, copied, used for manufacturing or communicated to any other person or company.

Note	Pos.	Modified from	Date	Intr.
0	-	-	-	-

Tolerances, if not indicated, according to:		-	-	-	-	-	
AC-STD		-	-	-	-	-	
Name LZL25-BF322-A		LZL15		Secrecy class			
Material -		1102 K/-		CAD Pro/E			
	Scale	1:3	Format	A3	Family	-	
	Drawn	F GRINELL		Blank	-	Replaces	-
Transferred from	Cons.class	1295 K/-	Rev	0	Status	In Work	
-	Mass/Volume	-	Date	2013-05-29	Designation	LZL25-BF322-A	
						Drawing owner	T00
						Sheet 1 (1)	