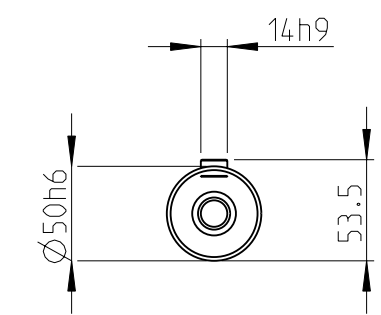
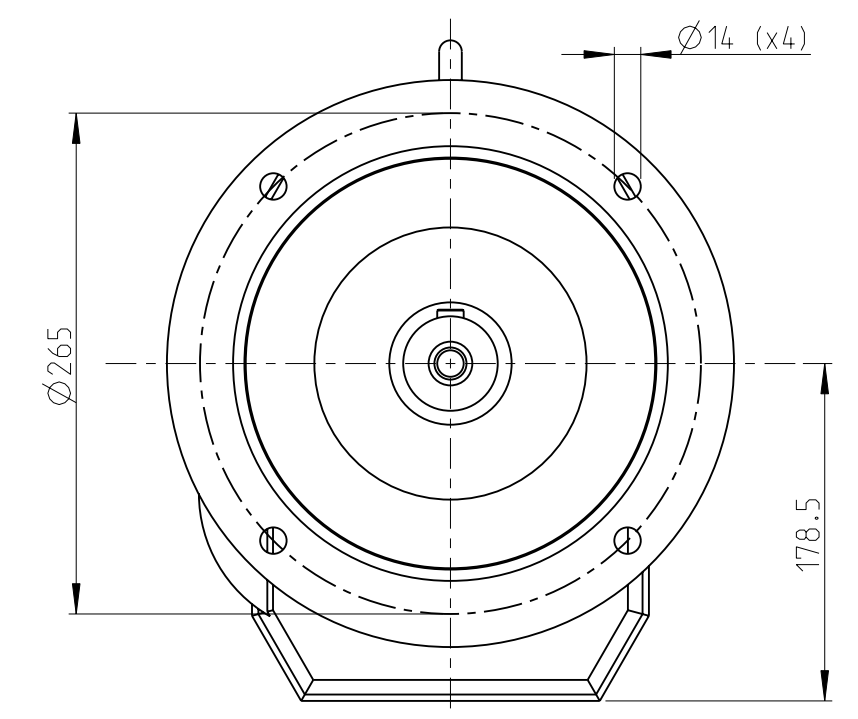
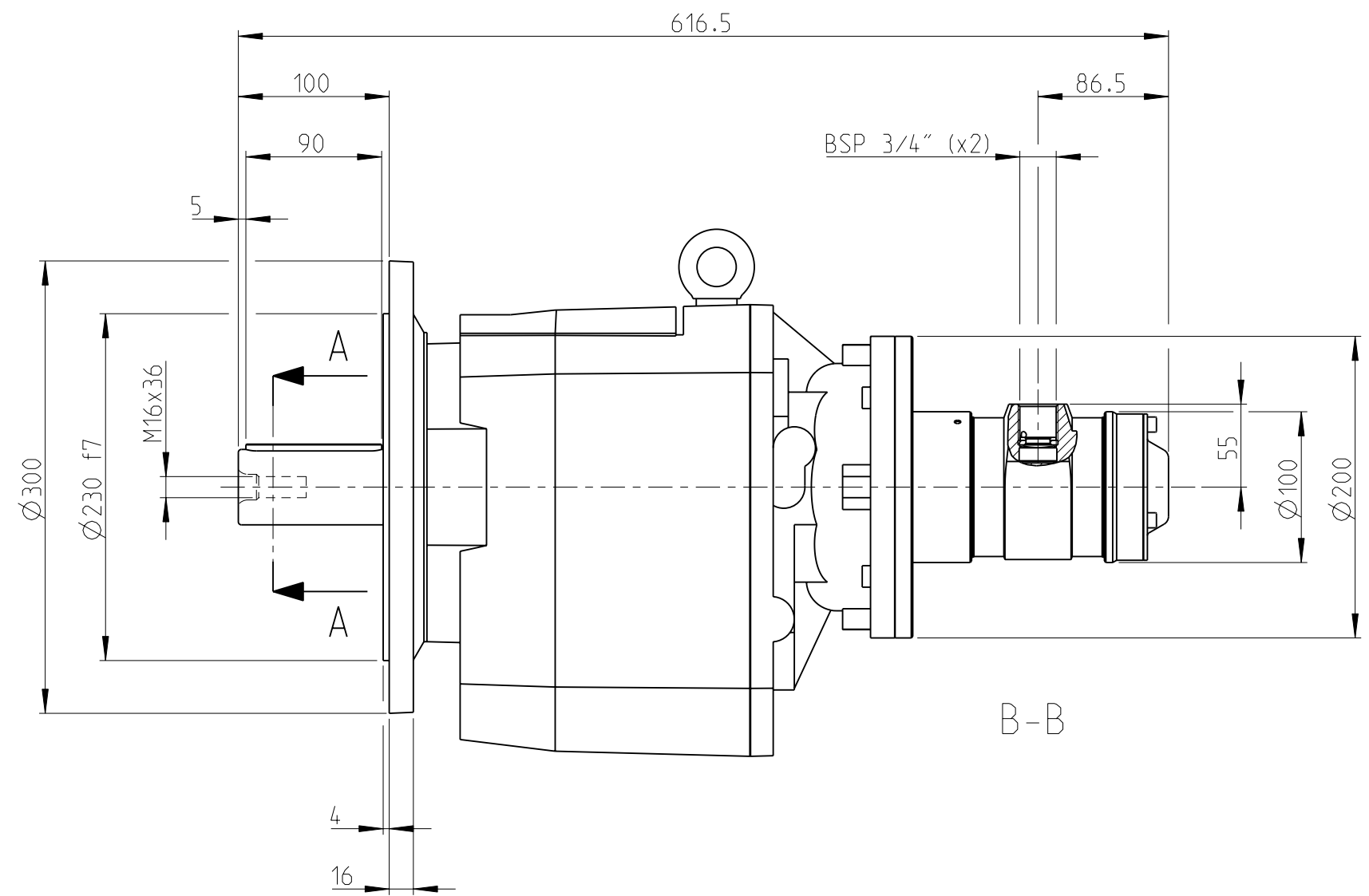


Model name LZL15-BF613-B Rev.Ver 0.0
 Drawing name LZL15-BF613-B Rev.Ver 0.0



MOTOR NAME	ORDERING NO.
LZL15-BF613-B-165	8411 1811 78

Tolerances, if not indicated, according to:		-	-	-	-	-
AC-STD		-	-	-	-	-
Name LZL15-BF613-B					Secrecy class	
Material -					1102 K/-	
					CAD Pro/E	
Scale 1:4		Format A3	Family -	Compare -		Drawing owner TOO
Drawn F GRINELL		Blank -		Replaces -		
Transferred from -		Cons.class 1295 K/-	Rev 0	Status Design	Designation LZL15-BF613-B	
		Mass/Volume -	Date 2013-05-29	Sheet 1 (1)		

0	-	-	-	-
Note	Pos.	Modified from	Date	Intr.

This document is our property and shall not without our permission be altered, copied, used for manufacturing or communicated to any other person or company.