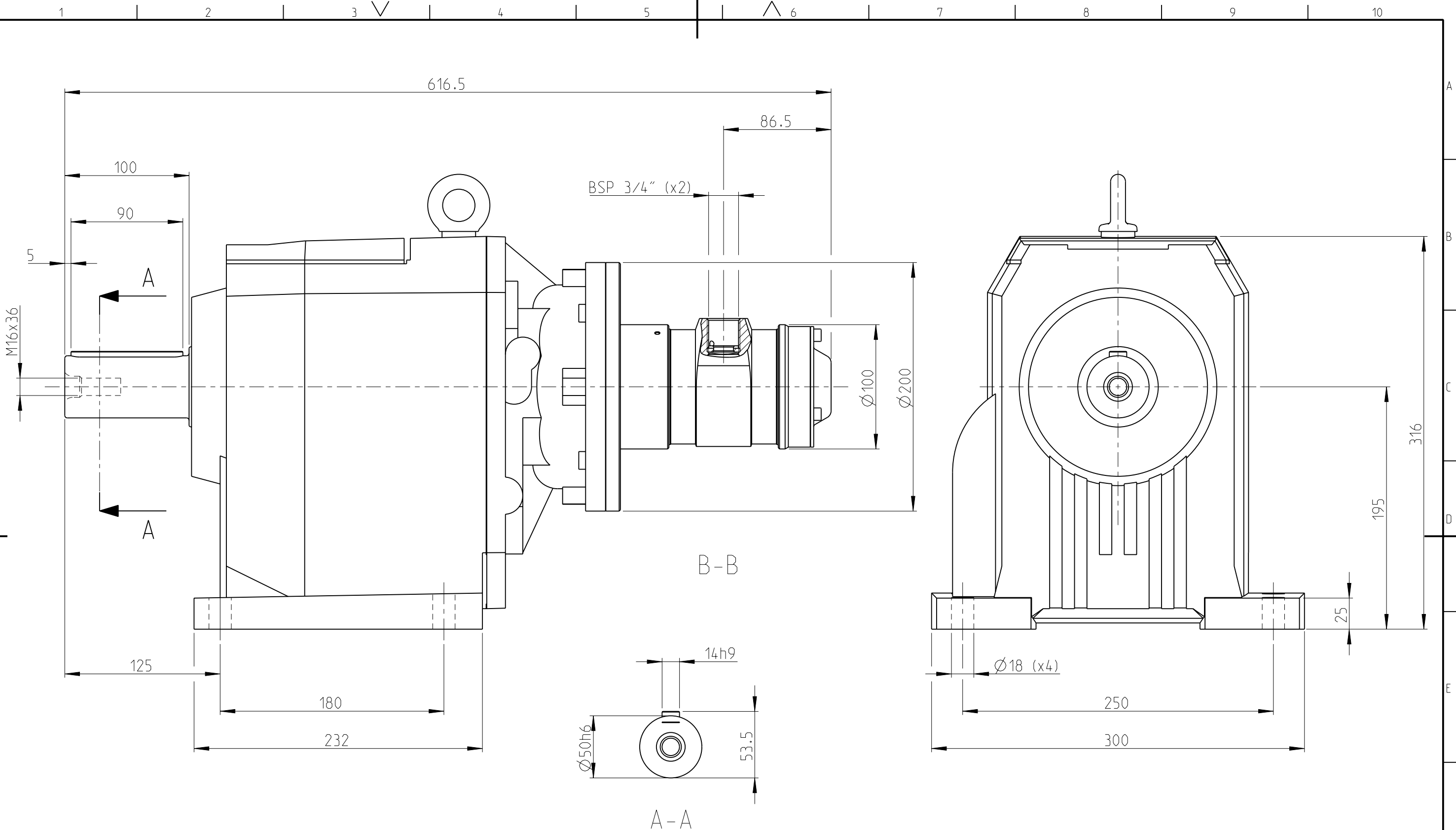


Model name LZL15-BF613-A Rev.Ver 0.0
 Drawing name LZL15-BF613-A Rev.Ver 0.0



MOTOR NAME	ORDERING NO.
LZL15-BF613-A-165	8411 1811 60

Tolerances, if not indicated, according to:					-	-	-	-	-
AC-STD					-	-	-	-	-
Name LZL15-BF613-A					LZL15		Secrecy class		
Material -					1102 K/-				
-					CAD		Pro/E		
		Scale	1:3	Format	A3	Family	-	Compare	-
-		Drawn	F GRINELL	Blank	-	Replaces	-	Drawing owner	
-		Cons.class	1295 K/-	Rev	0	Status	Design	TOO	
-		Mass/Volume	-	Date	2013-01-18	Designation		Sheet 1 (1)	
-						LZL15-BF613-A			

0	-	-	-	-
Note	Pos.	Modified from	Date	Intr.

This document is our property and shall not without our permission be altered, copied, used for manufacturing or communicated to any other person or company.