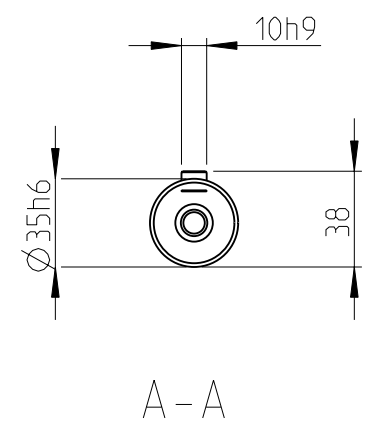
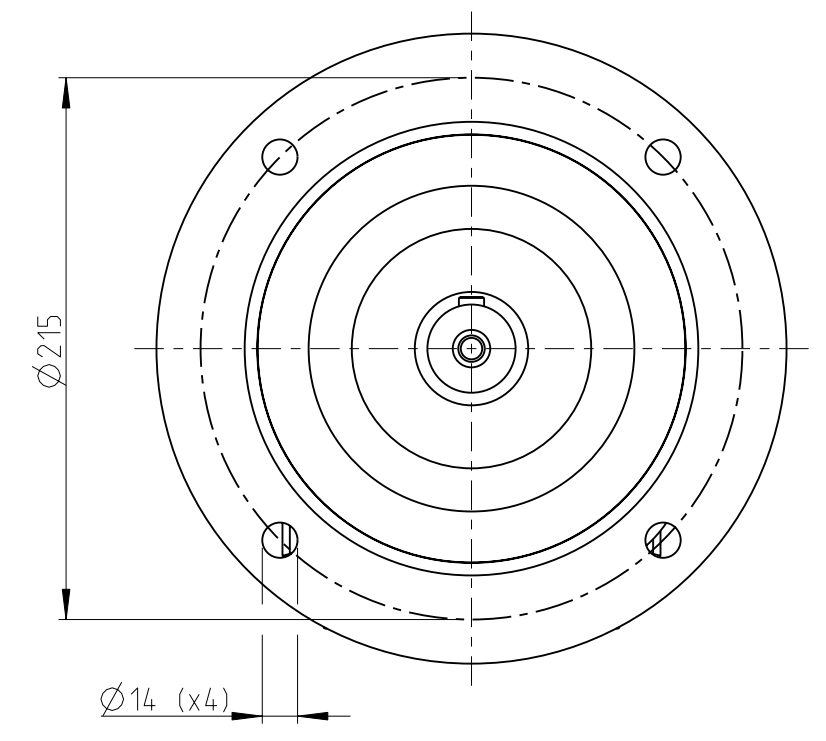
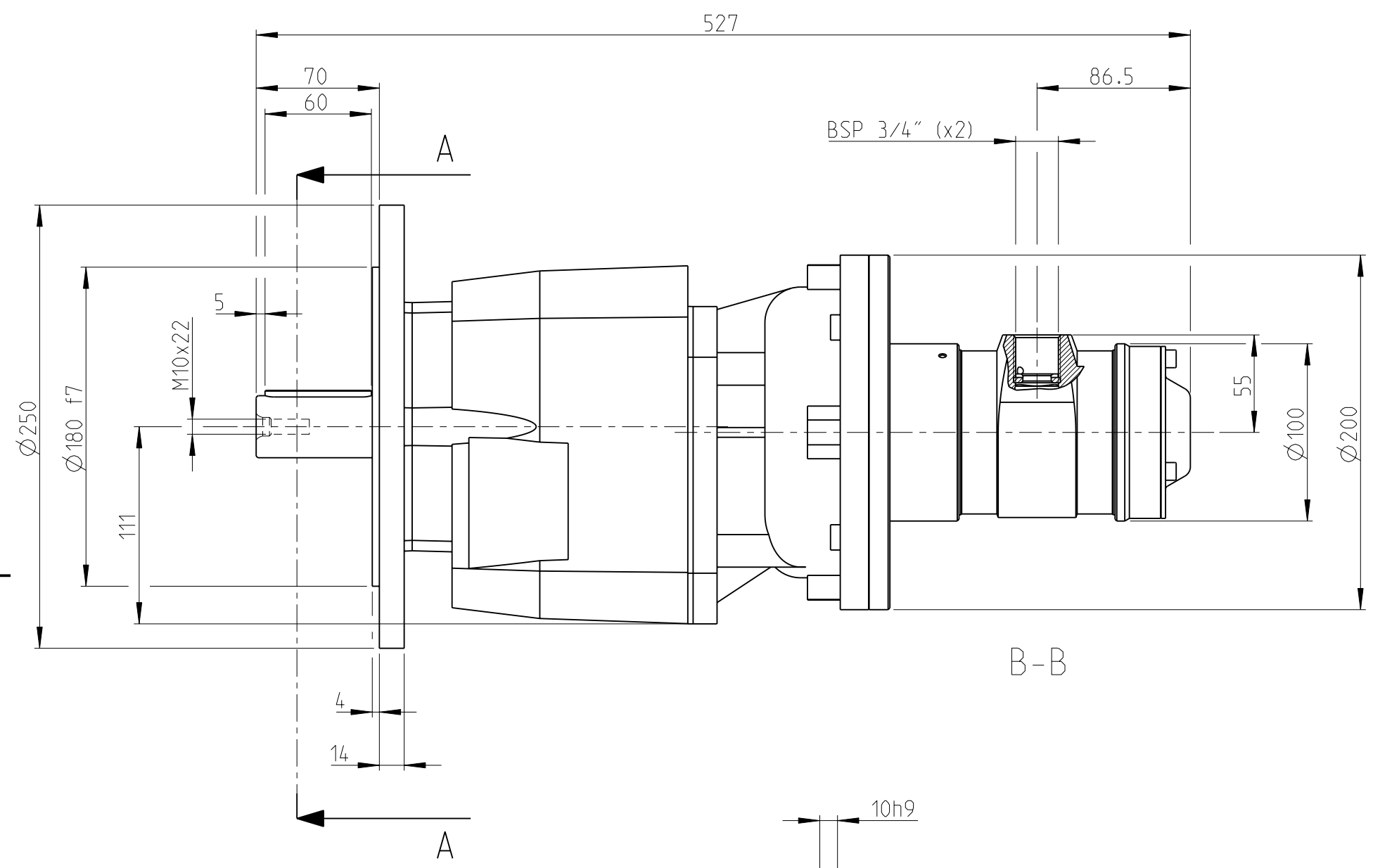


Model name LZL15-BF363-B Rev.Ver 0.0
 Drawing name LZL15-BF363-B Rev.Ver 0.1



MOTOR NAME	ORDERING NO.
LZL15-BF363-B-102	8411 1811 52

Tolerances, if not indicated, according to:		-	-	-	-	-
AC-STD		-	-	-	-	-
Name LZL15-BF363-B					Secrecy class	
Material					1102 K/-	
					CAD Pro/E	
Scale 1:3		Format A3	Family	Compare	Drawing owner	
Drawn F GRINELL		Blank	Replaces	TOO		
Transferred from		Cons.class 1295 K/-	Rev 0	Status In Work	Designation LZL15-BF363-B	
		Mass/Volume	Date 2013-05-29	Sheet 1 (1)		

Note	Pos.	Modified from	Date	Intr.
0	-	-	-	-

This document is our property and shall not without our permission be altered, copied, used for manufacturing or communicated to any other person or company.