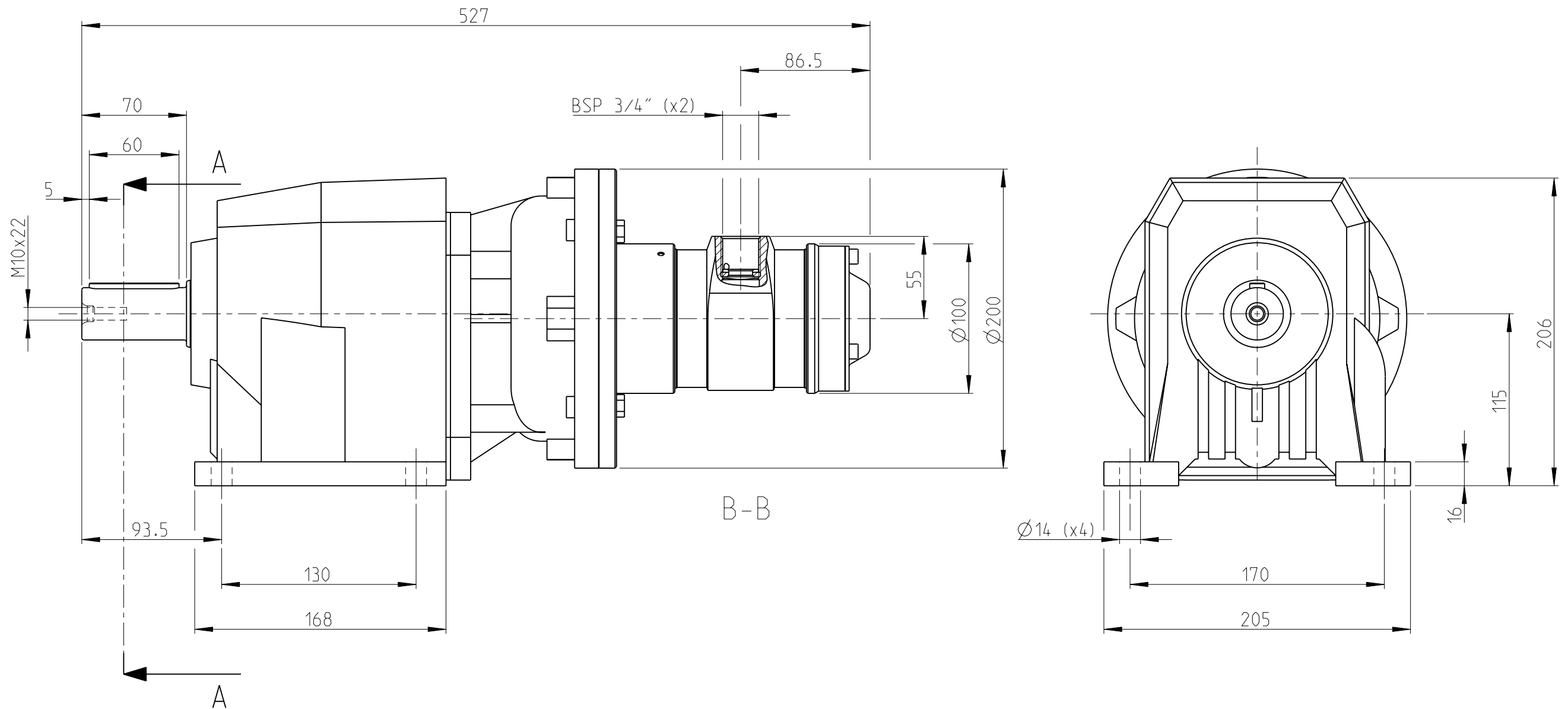
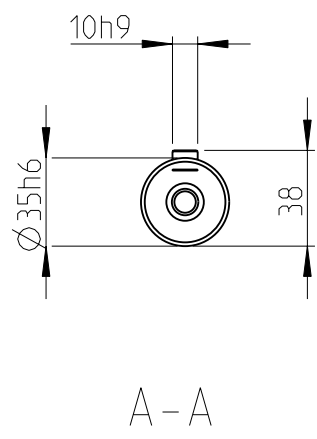


Model name LZL15-BF363-A Rev.Ver 0.2
 Drawing name LZL15-BF363-A Rev.Ver 0.0



MOTOR NAME	ORDERING NO.
LZL15-BF363-A-102	8411 1811 45



Tolerances, if not indicated, according to:	-	-	-	-	-
AC-STD	-	-	-	-	-
Name	LZL15-BF363-A			LZL15	Secrecy class
Material	-			1102 K/-	
	-			CAD Pro/E	
Scale	1:3	Format	A3	Family	-
Drawn	F GRINELL	Blank	-	Compare	-
Transferred from	-	Cons.class	1295 K/-	Rev	0
	-	Mass/Volume	-	Status	In Work
	-			Date	2013-01-18
				Designation	LZL15-BF363-A
				Drawing owner	TOO
					Sheet 1 (1)

Note	Pos.	Modified from	Date	Intr.
0	-	-	-	-

This document is our property and shall not without our permission be altered, copied, used for manufacturing or communicated to any other person or company.