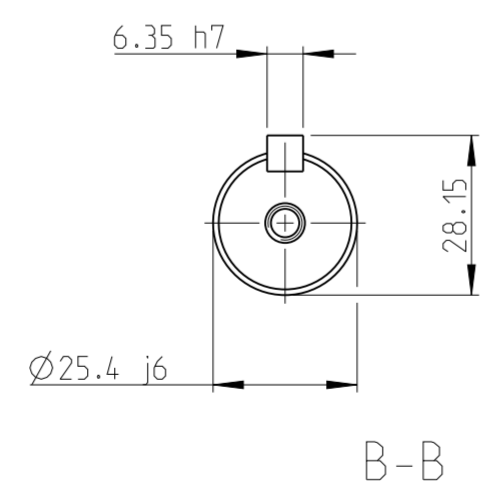
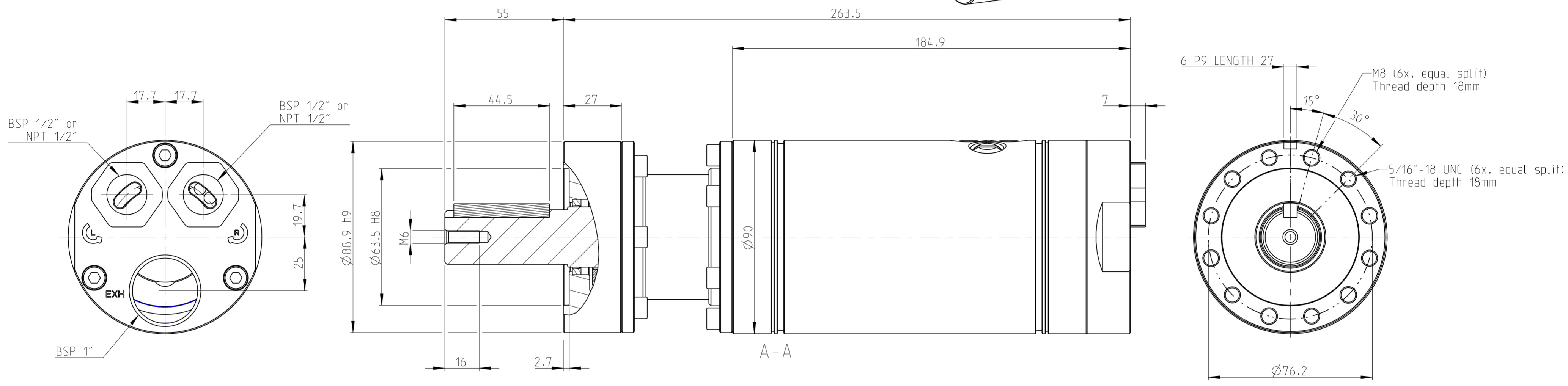
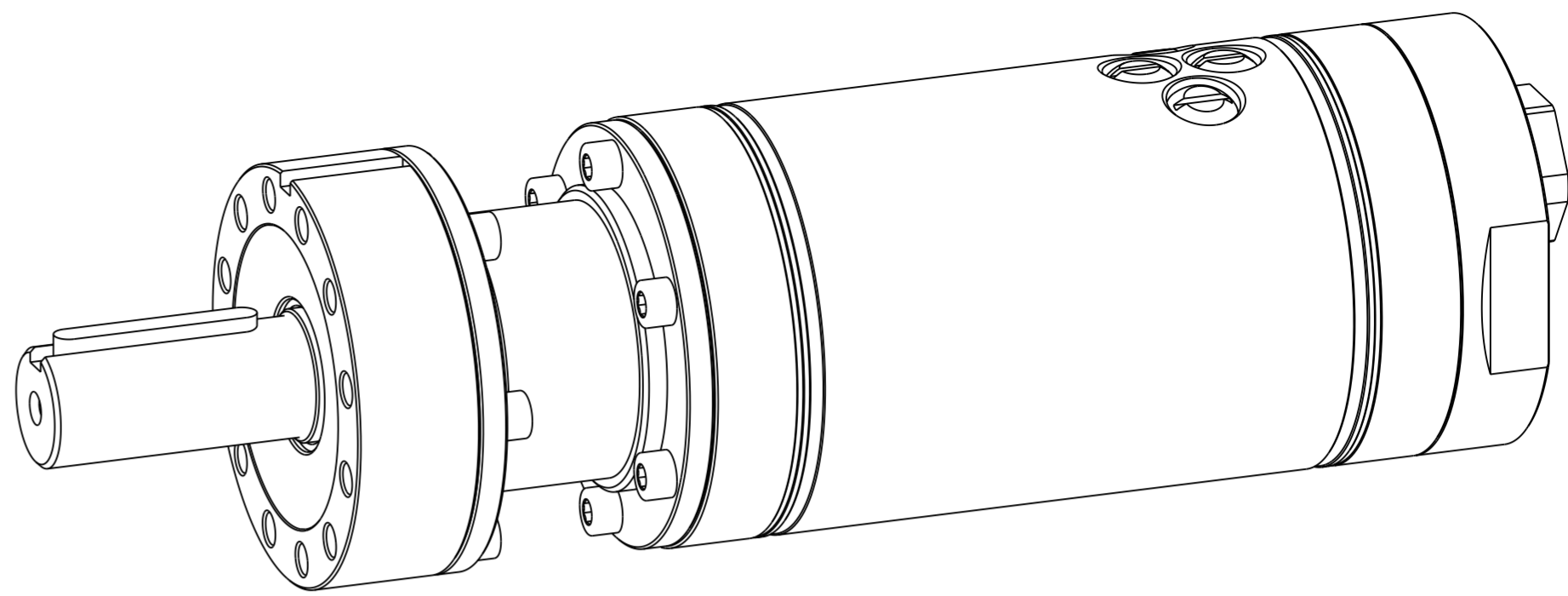


Model name LZB78_AR_1_15_00 Rev. No. 0.1
 Drawing name LZB78_AR_1_15_00 Rev. No. 0.1



MOTOR NAME	ORDERING NO.
LZB78-L-AR024-15	8411 0702 92
LZB78-L-AR016-15	8411 0703 00
LZB78-L-AR012-15	8411 0703 18

This document and its content is the intellectual property of Atlas Copco Industrial Technique AB. All uses, including but not limited to reproduction, distribution, publication, modification and copying, without prior written authorization is strictly prohibited.

Note	Pos.	Modified from	Date	Intr.
0	-	-	-	-

Tolerances, if not indicated, according to:		AC-STD			
Name		LZB78-L-ARXXX-15		LZB78	
Material				1102 K/- CAD Pro/E	
Scale		3:4		Format A2	
Drawn		A Ödling		Blank -	
Cons.class		1295 K/-		Rev 0	
Status		In Work		Designation	
Date		2023-03-21		LZB78_AR_1_15	
Drawing owner		TOO		Sheet 1 (1)	