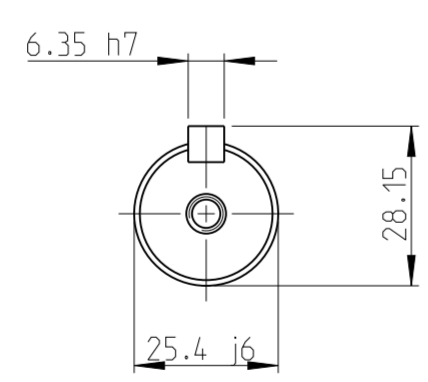
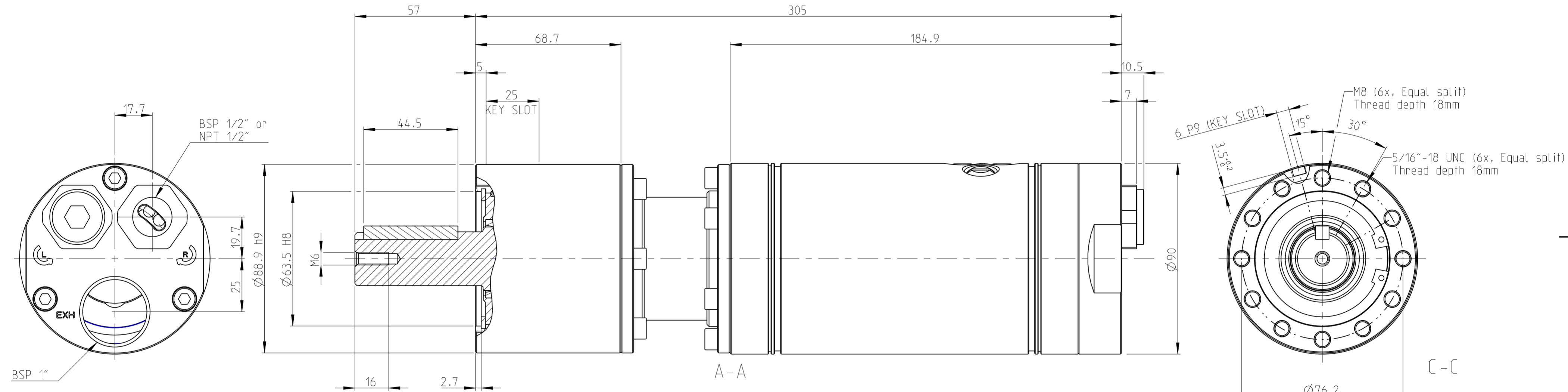
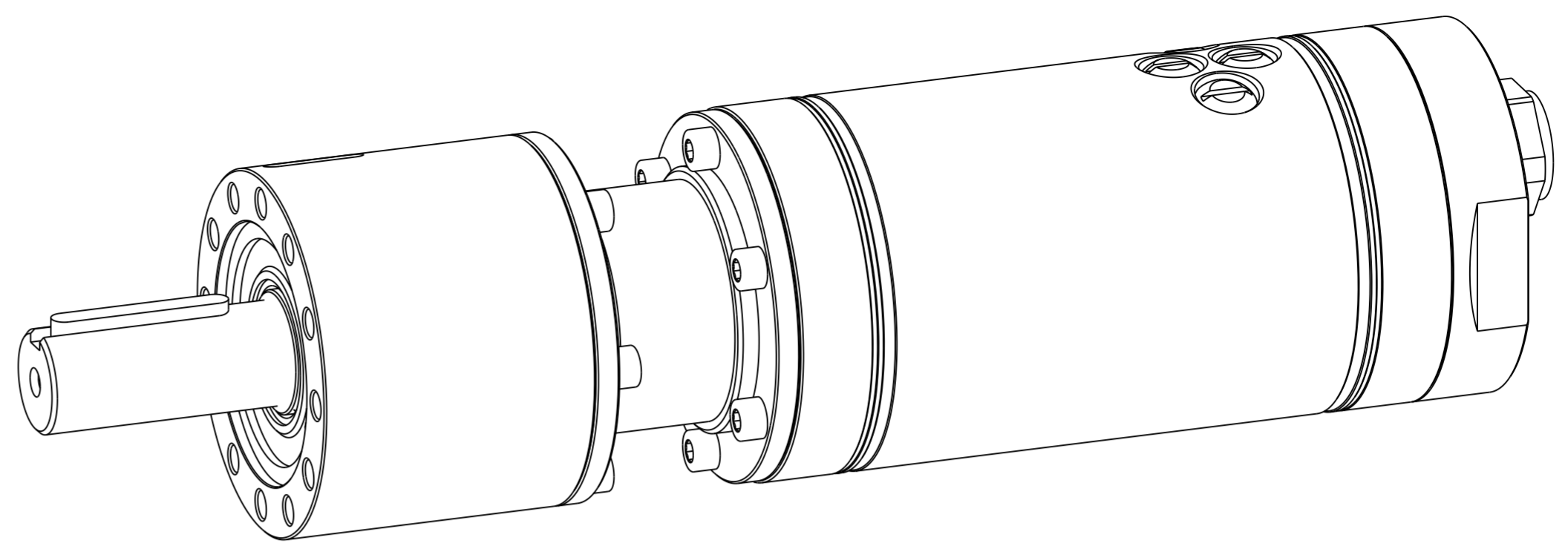


Model name	LZB78_A_3_15_00	Rev. No.	0.0
Drawing name	LZB78_A_3_15_00	Rev. No.	0.0



MOTOR NAME	ORDERING NO.
LZB78-L-A008-15	8411 0702 27
LZB78-L-A007-15	8411 0702 35
LZB78-L-A005-15	8411 0702 43
LZB78-L-A004-15	8411 0702 50
LZB78-L-A0020-15	8411 0702 68
LZB78-L-A0017-15	8411 0702 76

This document and its content is the intellectual property of Atlas Copco Industrial Technique AB. All uses, including but not limited to reproduction, distribution, publication, modification and copying, without prior written authorization is strictly prohibited.

Note	Pos.	Modified from	Date	Intr.
0	-	-	-	-

Tolerances, if not indicated, according to:		-	-	-	-	-
AC-STD		-	-	-	-	-
Name	LZB78-L-AXXX-15		LZB78	Secrecy class		
Material	-		1102 K/-			
	-		CAD Pro/E			
Scale	3:4	Format	A2	Family	-	Compare
Drawn	A Ödling	Blank	-	Replaces	-	Drawing owner
Transferred from	-	Cons.class	1295 K/-	Rev	0	Status
		Mass/Volume	-	Date	2023-03-21	In Work
				Designation	LZB78_A_3_15	
						Sheet 1 (1)