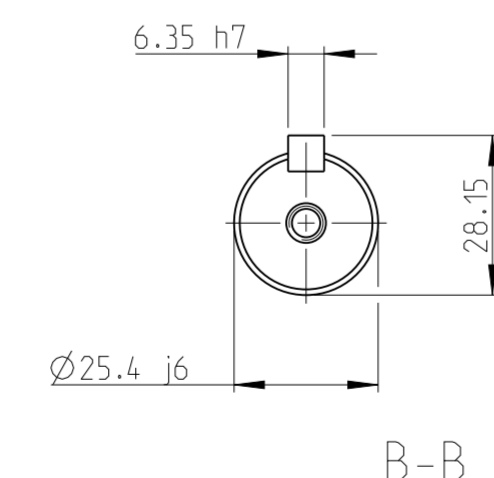
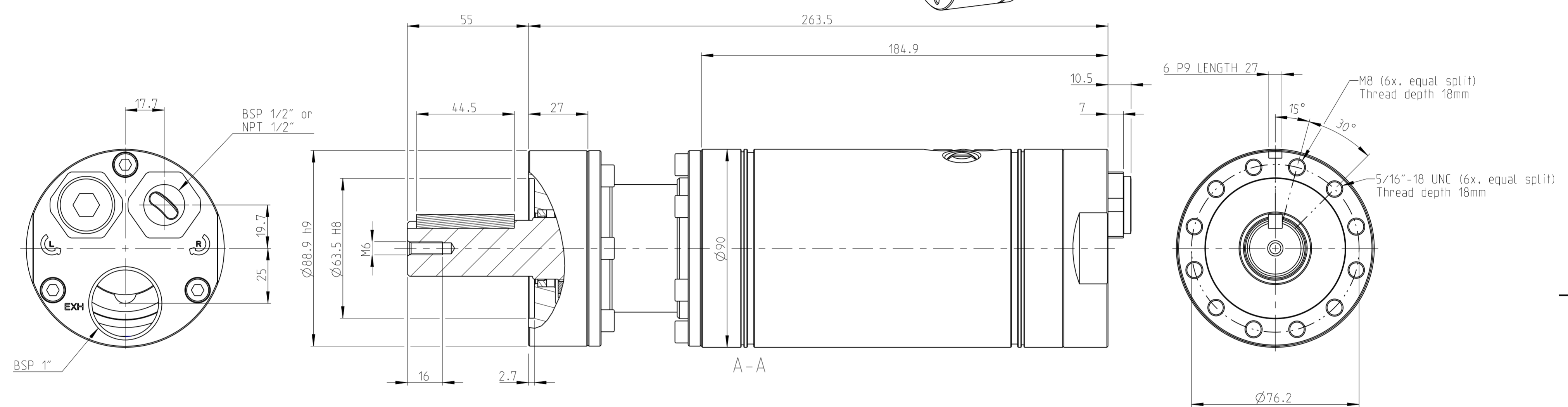


Model name	LZB78_A_1_15_00	Rev. No.	0.1
Drawing name	LZB78_A_1_15_00	Rev. No.	0.1



MOTOR NAME	ORDERING NO.
LZB78-L-A027-15	8411 0701 91
LZB78-L-A018-15	8411 0702 01
LZB78-L-A013-15	8411 0702 19

This document and its content is the intellectual property of Atlas Copco Industrial Technique AB. All uses, including but not limited to reproduction, distribution, publication, modification and copying, without prior written authorization is strictly prohibited.

Note	Pos.	Modified from	Date	Intr.
0	-	-	-	-

Tolerances, if not indicated, according to:		-	-	-	-	-	
AC-STD		-	-	-	-	-	
Name	LZB78-L-AXXX-15		LZB78	Secrecy class			
Material	-		1102 K/-				
-		CAD Pro/E					
	Scale	3:4	Format	A2	Family	-	
	Drawn	A Ödling		Blank	-	Replaces	-
Transferred from	Cons.class	1295 K/-	Rev	0	Status	In Work	
-	Mass/Volume	-	Date	2023-03-21		Designation	LZB78_A_1_15
						Drawing owner	T00
						Sheet 1 (1)	