

TAM 19 PUN

Spare Parts List Pneumatic Tampers

TAM 19 PUN s/n PUN000001-



General information

This spare parts list applies to the following:

Part number	Description
8461025015	TAM 19

Use only authorized parts. Any damage or malfunction caused by the use of unauthorized parts is not covered by Warranty or Product Liability. Any unauthorized use or copying of the contents or any part thereof is prohibited. This applies in particular to trademarks, model denominations, part numbers, and drawings.

Instructions for use

This spare parts list contains no safety regulations and is merely intended to assist in the ordering of spare parts.

For information about operating, servicing, or repairing, the relevant Safety and operating instructions must be consulted at all costs.

Please observe the safety instructions listed in the relevant Safety and operating instructions!

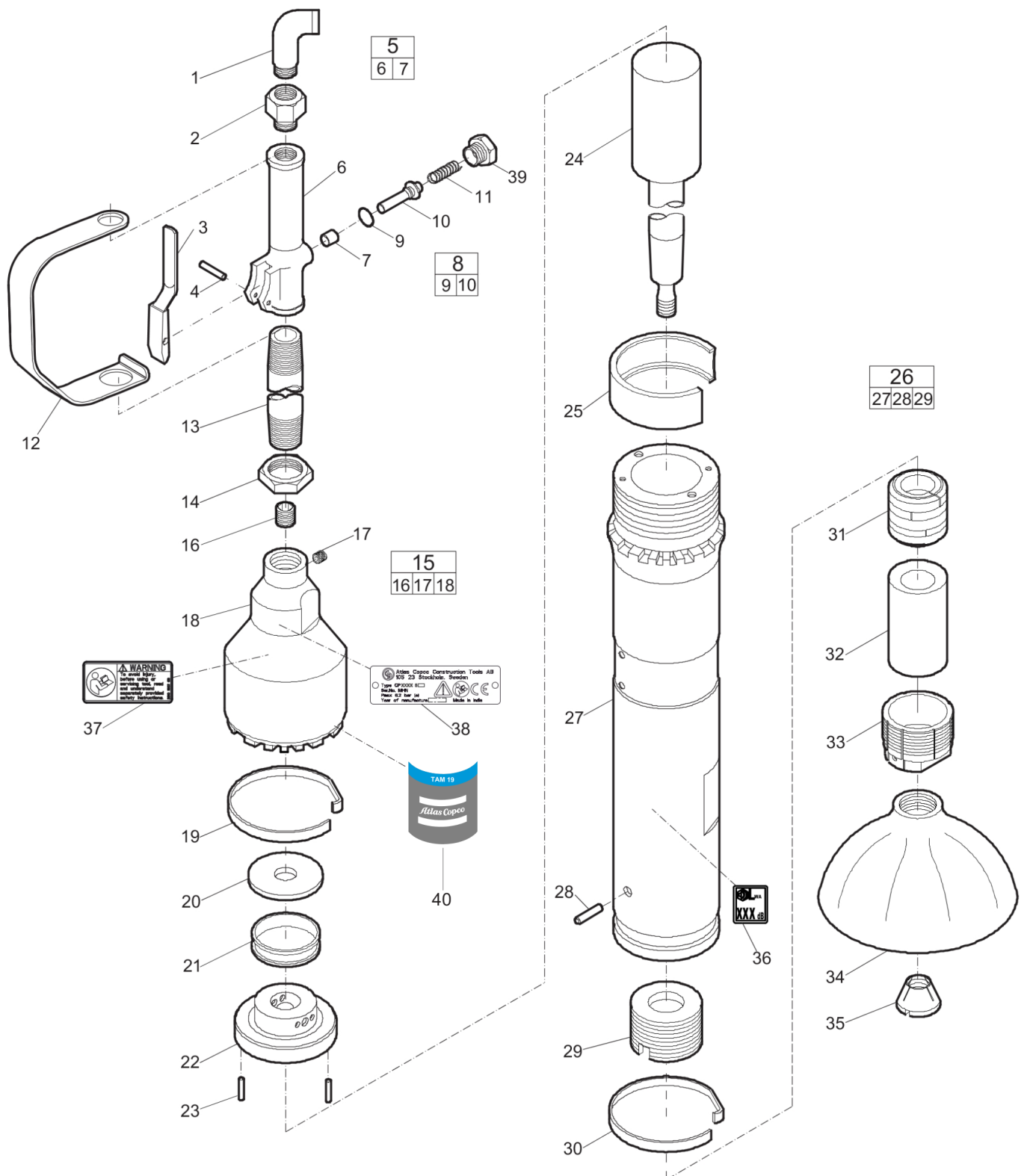
Spare parts list

TAM 19 1

Accessories

Butts 5
Pre-mounted rubber hose with couplings 7
Water separator 9
Lubricator 11
Breaker and hammer AIR-OIL 13
Claw couplings 15
Whip Check 17

Spare parts list TAM 19



Refer to Parts Online for the most up to date information. The printed information might be outdated.

Fri Jan 15 04:17:02 UTC 2021

Item	Part No.	Name	Qty	L
1	R072457	90°elbow - 1/2 in.	1	
2	3303005220	Strainer - Air	1	
3	P001903	Lever - Valve	1	
4	P001921	Pin - lever	1	
5	3310102468	Body - Throttle valve, complete	1	
6	-	Body - Throttle valve	1	
7	P001814	Throttle valve bushing	1	
8	P087671	Valve - Throttle, complete	1	
9	CA088867	O-ring	1	
10	-	Valve - Throttle	1	
11	P001858	Compression ring	1	
12	3310102471	Guard	1	
13	3310102474	Pipe - Extension	1	
14	F003087	Locknut - Pipe	2	
15	P079695	Cylinder head, complete	1	
16	P084132	Plug - Oil regulating	1	
17	C068799	Plug - pipe, Ø 1/4 in., Ø 6.5 mm	1	
18	-	Cylinder head	1	
19	P084464	Clip - Cylinder head lock	1	
20	P009667	Lid - Valve	1	
21	P009665	Valve	1	
22	P009666	Block - Valve	1	
23	A043627	Pin - Trigger	2	
24	P089043	Piston with threaded end	1	
25	P009674	Clip - Exhaust	1	
26	P084463	Cylinder bushing, complete	1	
27	-	Cylinder	1	
28	S001157	Pin - Cylinder bushing	1	
29	P074473	Bushing - Cylinder	1	
30	P084466	Clip - Lock nut	1	
31	P089320	Packing - Piston	1	
32	P009678	Sleeve - Piston gland	1	
33	P084465	Nut - Piston gland	1	
34	3310102924	Butt, Aluminum. Ø158.80 mm, Ø61/4 in	1	
35	P089045	Lock nut - Butt	1	
36	-	Sound power la	1	
37	3310160200	Safety Label	1	

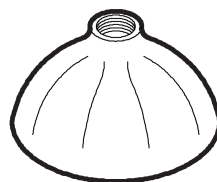
Refer to Parts Online for the most up to date information. The printed information might be outdated.

Fri Jan 15 04:17:02 UTC 2021

This page intentionally left blank

Item	Part No.	Name	Qty	L
38	-	Sound power la	1	
39	P001964	Cap valve screw	1	
40	3310102898	Product decal	1	

Accessories Butts



Refer to Parts Online for the most up to date information. The printed information might be outdated.

Fri Jan 15 04:17:05 UTC 2021

Item	Part No.	Name	Qty	L
-	3310102478	Butt(cast iron)ø146 mm 5.75 in.	1	
-	3310102477	Butt, concave(cast iron)	1	
-	3310102476	Butt(aluminum) ø63.5 mm 2.5 in.	1	

Accessories Pre-mounted rubber hose with couplings

NO EXPLODED VIEW
AVAILABLE
FOR THIS BOM

Item	Part No.	Name	Qty	L
-	9030204400	Rubber hose, pre-mounted with European type claw coupling, 3 m (10 feet) (1 x claw coupling + 1 x hose nipple with cup nut, G3/4 in.), Ø12.5 mm, Ø1/2 in.	1	

Accessories Water separator

NO EXPLODED VIEW
AVAILABLE
FOR THIS BOM

Item	Part No.	Name	Qty	L
-	8092011058	Water separator VAM 01, European type claw couplings	1	A
-	8092011059	Water separator VAM 01, US type claw couplings	1	B
-	8092011082	Water separator VAM 5A, European type claw couplings	1	C
-	8092011083	Water separator VAM 5A, US type claw couplings	1	D

Comments for Page: Water separator

(L)OCAL REMARKS

A | Airflow < 50 l/s

Airflow < 106 ft³/min

B | Airflow < 50 l/s

Airflow < 106 ft³/min

C | Airflow < 120 l/s

Airflow < 254 ft³/min

D | Airflow < 120 l/s

Airflow < 254 ft³/min

Accessories Lubricator

NO EXPLODED VIEW
AVAILABLE
FOR THIS BOM

Item	Part No.	Name	Qty	L
-	8202510239	Lubricator CLG 30	1	A
-	8202510240	Lubricator CLG 30, US type claw couplings	1	A

Comments for Page: Lubricator

(L)OCAL REMARKS

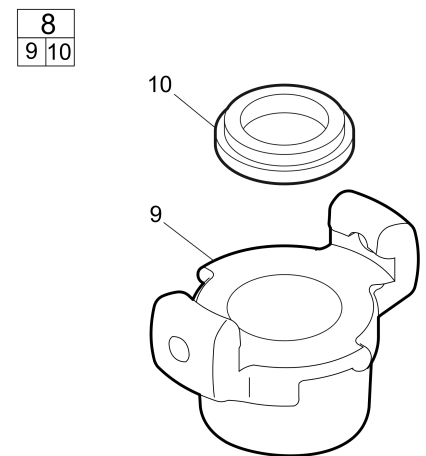
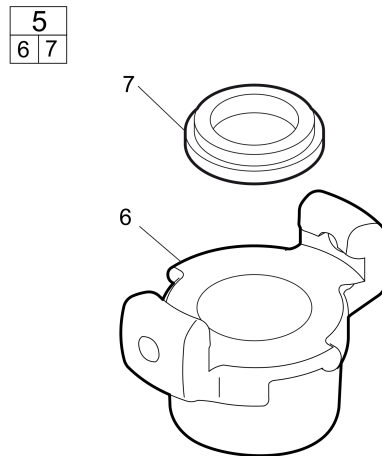
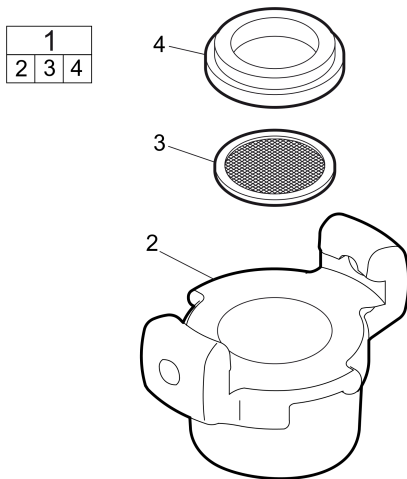
A | For mineral and synthetic oil

Accessories Breaker and hammer AIR-OIL

NO EXPLODED VIEW
AVAILABLE
FOR THIS BOM

Item	Part No.	Name	Qty	L
1	8099020240	Breaker and hammer AIR-OIL,0.25 l, 0.06 US gallon	1	
2	8099020236	Breaker and hammer air-oil 1l	1	
3	8099020281	Breaker and hammer AIR-OIL (pack), 1 l , 0.26 US gallon	20	
4	8099020202	Breaker and hammer AIR-OIL, 5 l, 1.32 US gallon	1	
5	8099020285	Breaker and hammer AIR-OIL (pack), 5 l, 1.32 US gallon	4	

Accessories Claw couplings



Item	Part No.	Name	Qty	L
1	9000030601	Claw coupling with strainer, complete (EU)	1	
2	-	Claw coupling, Standard G3/4 in.	1	
3	9000000010	Strainer	1	
4	9000000000	Coupling seal	1	
5	9000030600	Claw coupling, cpl	1	
6	-	Claw coupling, Standard G3/4 in.	1	
7	9000000000	Coupling seal	1	
8	9001000506	Claw coupling, complete (US)	1	
9	-	Claw coupling, US-universal 3/4 in.	1	
10	9001000515	Gasket	1	

Accessories Whip Check



Item	Part No.	Name	Qty	L
-	3310101858	Whip Check 1/2"-1.1/4",L=540mm,BS=588kg	1	
-	3310101859	Whip Check 1.1/2"-3",L=965mm,BS=2350kg	1	
-	3310101860	Whip Check 3"-6",L=1150mm,BS=2350kg	1	

Any unauthorized use or copying of the contents or any part thereof is prohibited.
This applies in particular to trademarks, model denominations, part numbers, and drawings.

