

# TAM 14 PUN

---

## Spare Parts List Pneumatic Tampers

TAM 14 PUN s/n PUN000001-



# General information

This spare parts list applies to the following:

Part number	Description
8461025014	TAM 14

Use only authorized parts. Any damage or malfunction caused by the use of unauthorized parts is not covered by Warranty or Product Liability. Any unauthorized use or copying of the contents or any part thereof is prohibited. This applies in particular to trademarks, model denominations, part numbers, and drawings.

## Instructions for use

This spare parts list contains no safety regulations and is merely intended to assist in the ordering of spare parts.

For information about operating, servicing, or repairing, the relevant Safety and operating instructions must be consulted at all costs.

Please observe the safety instructions listed in the relevant Safety and operating instructions!

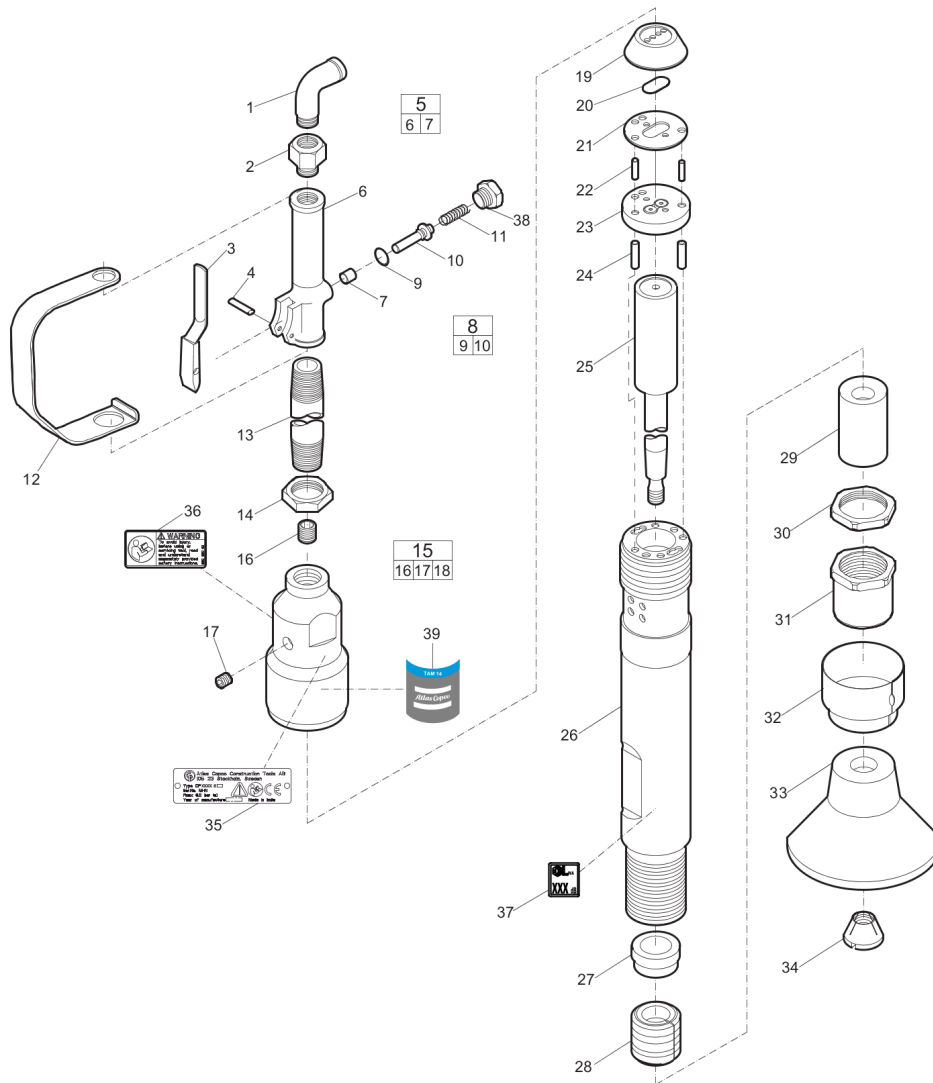
**Spare parts list**

TAM 14 ..... 1

**Accessories**

Butts ..... 5  
Pre-mounted rubber hose with couplings ..... 7  
Water separator ..... 9  
Lubricator ..... 11  
Breaker and hammer AIR-OIL ..... 13  
Claw couplings ..... 15  
Whip Check ..... 17

Spare parts list TAM 14



Item	Part No.	Name	Qty	L
1	R072457	90°elbow - 1/2 in.	1	
2	3303005220	Strainer - Air	1	
3	P001903	Lever - Valve	1	
4	P001921	Pin - lever	1	
5	3310102468	Body - Throttle valve, complete	1	
6	-	Body - Throttle valve	1	
7	P001814	Throttle valve bushing	1	
8	P087671	Valve - Throttle, complete	1	
9	CA088867	O-ring	1	
10	-	Valve - Throttle	1	
11	P001858	Compression ring	1	
12	3310102471	Guard	1	
13	3310102474	Pipe - Extension	1	
14	F003087	Locknut - Pipe	2	
15	P078139	Cylinder head, complete	1	
16	P084132	Plug - Oil regulating	1	
17	C068799	Plug - pipe, Ø 1/4 in., Ø 6.5 mm	1	
18	-	Cylinder head	1	
19	P073185	Lid - Upper case	1	
20	P071358	Valve	1	
21	P073187	Case - Valve	1	
22	P073120	Dowel - Valve case	2	
23	P073118	Lid - Lower case	1	
24	P073119	Dowel - Cylinder	2	
25	P089009	Piston	1	
26	-	Cylinder	1	
27	P070649	Bushing - Piston rod	1	
28	P071390	Packing - Piston	1	
29	P070646	Bushing - Piston rod	1	
30	P070931	Locknut - Retainer	1	
31	P070651	Retainer - Piston bushing	1	
32	P070643	Deflector - Exhaust	1	
33	3310102923	Butt(aluminum) ø127 mm 5 in.	1	
34	P089006	Lock nut	1	
35	-	Data plate (Not available separately)	1	
36	3310160200	Safety Label	1	
37	-	Sound power label	1	

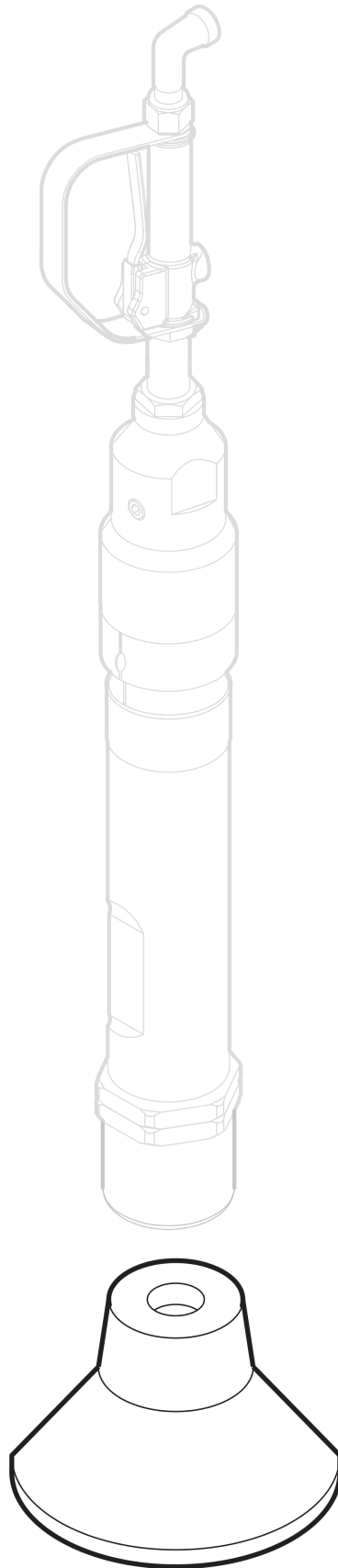
Refer to Parts Online for the most up to date information. The printed information might be outdated.

Fri Jan 15 04:15:21 UTC 2021

This page intentionally left blank

Item	Part No.	Name	Qty	L
38	P001964	Cap valve screw	1	
39	3310102897	Product decal	1	

**Accessories Butts**



Item	Part No.	Name	Qty	L
-	3310102472	Butt(cast iron)ø146 mm 5.75 in.	1	
-	3310102473	Butt-bean shape	1	
-	3310102470	Butt(aluminum) ø127 mm 5 in.	1	

**Accessories** Pre-mounted rubber hose with couplings

NO EXPLODED VIEW  
AVAILABLE  
FOR THIS BOM

Item	Part No.	Name	Qty	L
-	9030204400	Rubber hose, pre-mounted with European type claw coupling, 3 m (10 feet) (1 x claw coupling + 1 x hose nipple with cup nut, G3/4 in.), Ø12.5 mm, Ø1/2 in.	1	

**Accessories** Water separator

NO EXPLODED VIEW  
AVAILABLE  
FOR THIS BOM

Item	Part No.	Name	Qty	L
-	8092011058	Water separator VAM 01, European type claw couplings	1	A
-	8092011059	Water separator VAM 01, US type claw couplings	1	B
-	8092011082	Water separator VAM 5A, European type claw couplings	1	C
-	8092011083	Water separator VAM 5A, US type claw couplings	1	D

Comments for Page: Water separator

(L)OCAL REMARKS

A | Airflow < 50 l/s

Airflow < 106 ft<sup>3</sup>/min

B | Airflow < 50 l/s

Airflow < 106 ft<sup>3</sup>/min

C | Airflow < 120 l/s

Airflow < 254 ft<sup>3</sup>/min

D | Airflow < 120 l/s

Airflow < 254 ft<sup>3</sup>/min

**Accessories** Lubricator

NO EXPLODED VIEW  
AVAILABLE  
FOR THIS BOM

Item	Part No.	Name	Qty	L
-	8202510239	Lubricator CLG 30	1	A
-	8202510240	Lubricator CLG 30, US type claw couplings	1	A

Comments for Page: Lubricator

(L)OCAL REMARKS

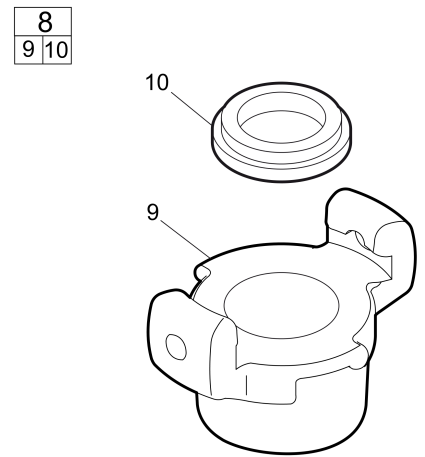
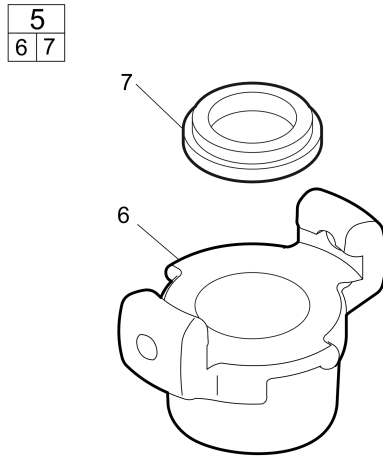
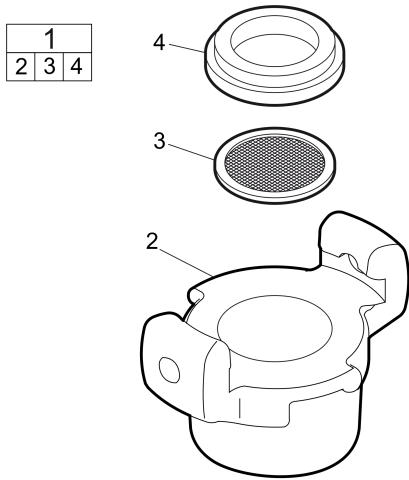
A | For mineral and synthetic oil

**Accessories** Breaker and hammer AIR-OIL

NO EXPLODED VIEW  
AVAILABLE  
FOR THIS BOM

Item	Part No.	Name	Qty	L
1	8099020240	Breaker and hammer AIR-OIL,0.25 l, 0.06 US gallon	1	
2	8099020236	Breaker and hammer air-oil 1l	1	
3	8099020281	Breaker and hammer AIR-OIL (pack), 1 l , 0.26 US gallon	20	
4	8099020202	Breaker and hammer AIR-OIL, 5 l, 1.32 US gallon	1	
5	8099020285	Breaker and hammer AIR-OIL (pack), 5 l, 1.32 US gallon	4	

**Accessories** Claw couplings



Item	Part No.	Name	Qty	L
1	9000030601	Claw coupling with strainer, complete (EU)	1	
2	-	Claw coupling, Standard G3/4 in.	1	
3	9000000010	Strainer	1	
4	9000000000	Coupling seal	1	
5	9000030600	Claw coupling, cpl	1	
6	-	Claw coupling, Standard G3/4 in.	1	
7	9000000000	Coupling seal	1	
8	9001000506	Claw coupling, complete (US)	1	
9	-	Claw coupling, US-universal 3/4 in.	1	
10	9001000515	Gasket	1	

**Accessories** Whip Check



Item	Part No.	Name	Qty	L
-	3310101858	Whip Check 1/2"-1.1/4",L=540mm,BS=588kg	1	
-	3310101859	Whip Check 1.1/2"-3",L=965mm,BS=2350kg	1	
-	3310101860	Whip Check 3"-6",L=1150mm,BS=2350kg	1	

Any unauthorized use or copying of the contents or any part thereof is prohibited.  
This applies in particular to trademarks, model denominations, part numbers, and drawings.

