

# DATA SHEET



## Single Phase Induction Motor - Squirrel Cage

Customer :																						
Product line : General Single-Phase			Product code : 10016488																			
			Catalog # : 005180S1CCD184T																			
Frame	: 184T		Locked rotor time	: 10s (cold) 6s (hot)																		
Output	: 5 HP (3.7 kW)		Temperature rise	: 80 K																		
Frequency	: 60 Hz		Duty cycle	: Cont.(S1)																		
Rated voltage	: 208-230 V		Ambient temperature	: -20°C to +40°C																		
Poles	: 4		Altitude	: 1000 m.a.s.l.																		
Rated current	: 23.0-20.7 A		Protection degree	: IP22																		
	: 6.6x(Code G)		Cooling method	: IC01 - ODP																		
Rated speed	: 1750 rpm		Mounting	: F-1																		
Rated torque	: 15.0 ft.lb		Rotation <sup>1</sup>	: Both (CW and CCW)																		
Insulation class	: F		Starting method	: Direct On Line																		
Service factor	: 1.25		Approx. weight <sup>2</sup>	: 95.8 lb																		
Moment of inertia (J)	: 0.4983 sq.ft.lb																					
Output	25%	50%	75%	100%																		
Efficiency (%)	71.6	74.0	80.0	82.5																		
Power Factor	0.67	0.90	0.92	0.94																		
Foundation loads																						
Max. traction : 163 lb																						
Max. compression : 259 lb																						
<table border="0"> <tr> <td></td> <td style="text-align: center;"><u>Drive end</u></td> <td style="text-align: center;"><u>Non drive end</u></td> </tr> <tr> <td>Bearing type</td> <td style="text-align: center;">: 6206 ZZ</td> <td style="text-align: center;">: 6205 ZZ</td> </tr> <tr> <td>Sealing</td> <td style="text-align: center;">: Without Bearing Seal</td> <td style="text-align: center;">: Without Bearing Seal</td> </tr> <tr> <td>Lubrication interval</td> <td style="text-align: center;">: -</td> <td style="text-align: center;">: -</td> </tr> <tr> <td>Lubricant amount</td> <td style="text-align: center;">: -</td> <td style="text-align: center;">: -</td> </tr> <tr> <td>Lubricant type</td> <td colspan="2" style="text-align: center;">: Mobil Polyrex EM</td> </tr> </table>						<u>Drive end</u>	<u>Non drive end</u>	Bearing type	: 6206 ZZ	: 6205 ZZ	Sealing	: Without Bearing Seal	: Without Bearing Seal	Lubrication interval	: -	: -	Lubricant amount	: -	: -	Lubricant type	: Mobil Polyrex EM	
	<u>Drive end</u>	<u>Non drive end</u>																				
Bearing type	: 6206 ZZ	: 6205 ZZ																				
Sealing	: Without Bearing Seal	: Without Bearing Seal																				
Lubrication interval	: -	: -																				
Lubricant amount	: -	: -																				
Lubricant type	: Mobil Polyrex EM																					
Notes																						
<p>This revision replaces and cancel the previous one, which must be eliminated.</p> <p>(1) Looking the motor from the shaft end.</p> <p>(2) Measured at 1m and with tolerance of +3dB(A).</p> <p>(3) Approximate weight subject to changes after manufacturing process.</p> <p>(4) At 100% of full load.</p>			<p>These are average values based on tests with sinusoidal power supply, subject to the tolerances stipulated in NEMA MG-1.</p>																			
Rev.	Changes Summary		Performed	Checked																		
Performed by			Page	Revision																		
Checked by																						
Date	01/05/2026																					
			1 / 1																			

No reproduction of this drawing is allowed without written permission of WEG Motores

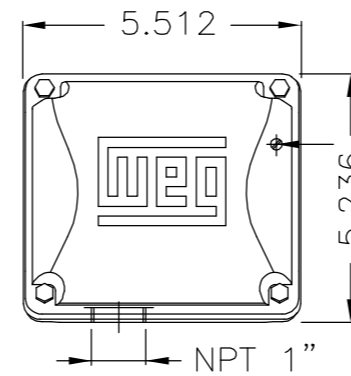
EIXO	
PADRÃO	X
OPCIONAL	
ESPECIAL	

Dimensões em polegada

**CERTIFIED WEG MOTORES**

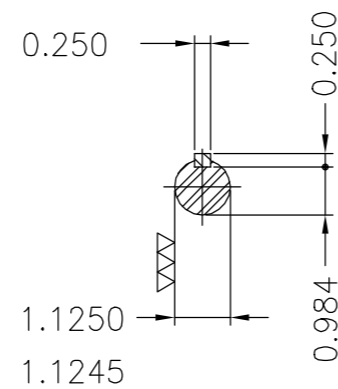
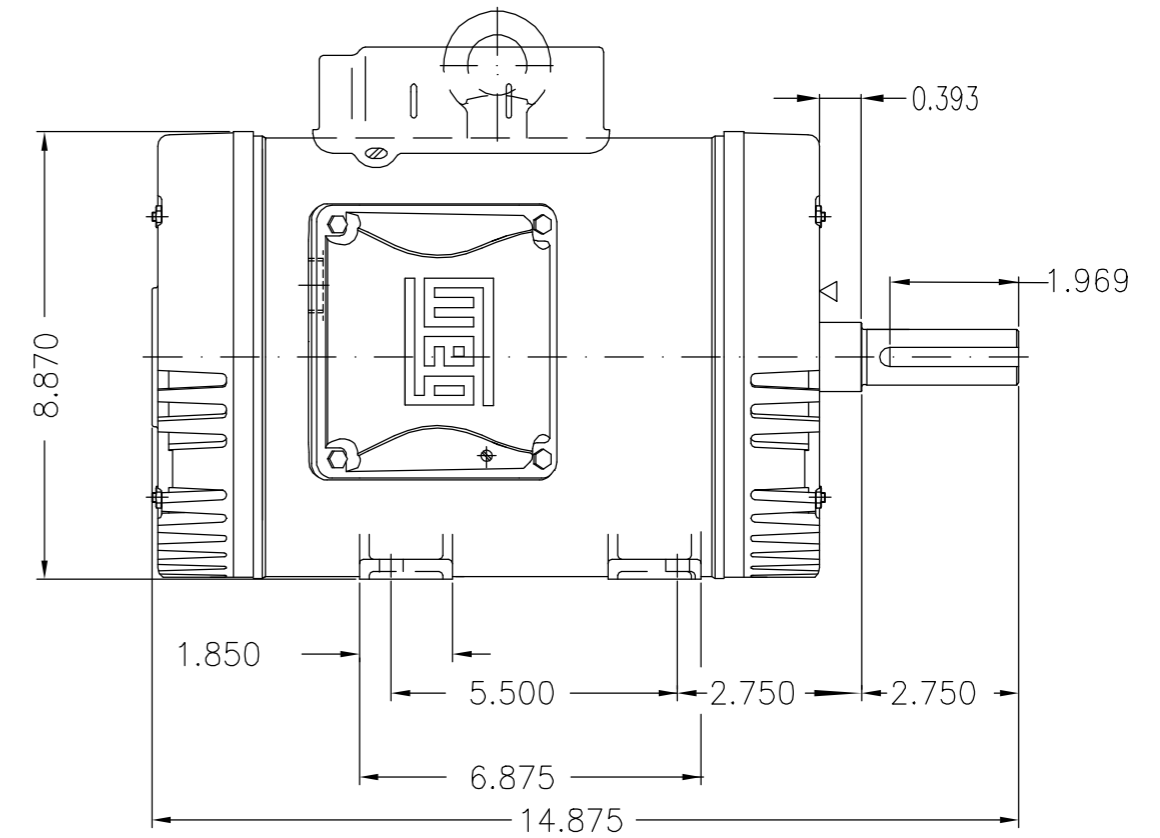
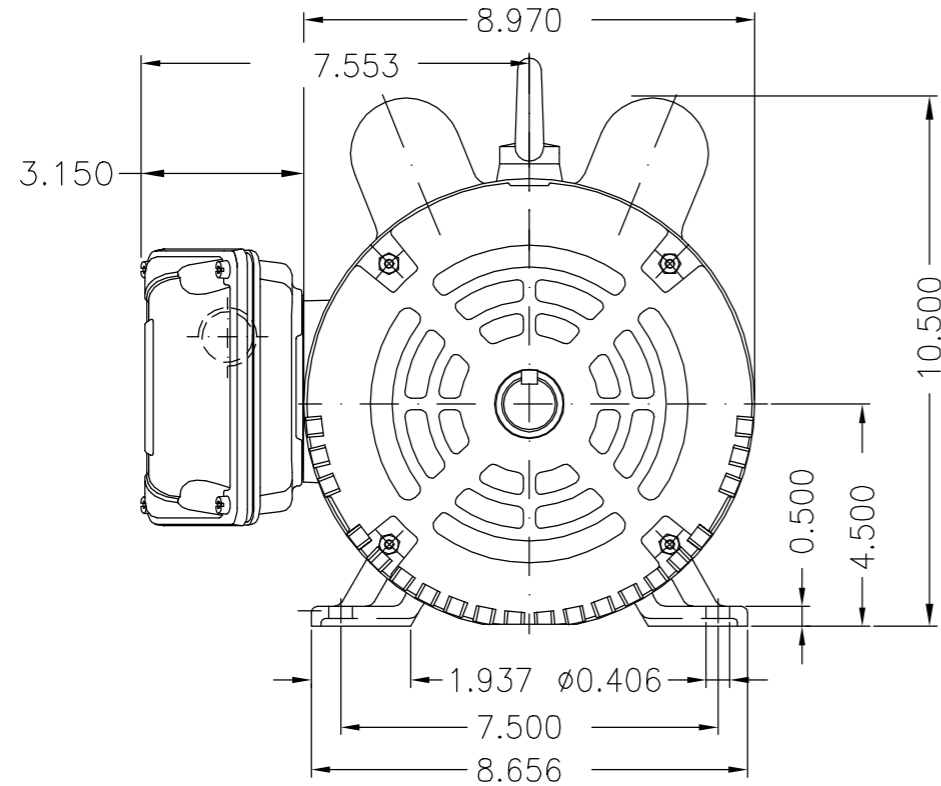
Certified document. Not subject to changes.

THIS IS AN UPDATED REVISION, THE PREVIOUS ONE MUST BE DISREGARDED.



Aterramento 2-10 mm<sup>2</sup> / 14-7 AWG

Caixa de ligação principal



Tampa dianteira especial / Special DE endshield						
Capacitor de partida tipo 2 (12535959) / Start capacitor type 2 (12535959)						
Sentido de rotação ambos / Rotation CW and CCW						
Ventilador de Nylon / Nylon fan						
Isolamento Classe F (Dt=80K) / Class F insulation - 80K temperature rise						
Fator de serviço 1.25 / Service factor 1.25						
Forma construtiva B3D / Mounting B3R(D)						

**WEG ELECTRIC**

500001850259		PCR 100000047754	JACKSONHM	ORLANDOS	ORLANDOS	18.11.2020	10
500001037681		Ins. nota Ventilador nylon	ODORIZZI	RICARDOAN	RICARDOAN	18.05.2015	09
ECM	LOC	SUMMARY OF MODIFICATIONS	EXECUTED	CHECKED	RELEASED	DATE	VER
EXECUTED	ADRIANAP	SINGLE PHASE MOTOR FRAME 184T IP22 COMPRESSOR	E4012738				
CHECKED	ADRIANAP		000	10			
RELEASED	ADRIANAP						
REL DT	22.08.2008	WMO	JARAGUA DO SUL	ENGENHARIA DE PRODUTO	SHEET	1 / 1	

5 HP 4 POLE 60 Hz CRM11857



MADE IN BRAZIL



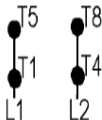
1127626186

ITEM: 10016488

MODEL 00518OS1CCD184T

MOD.MO0IF0X0X0000302515

DATE: 05MAY26

PH  HP(kW)  FR V  Hz A  RPM SFA  INS  DT SF  DUTY  AMB USABLE @ 208V 23A 1.00 SF CODE  ENCL 

TO REVERSE  
ROTATION INVERT  
T5 AND T8

WARNING- MOTOR MUST BE GROUNDED IN ACCORDANCE WITH LOCAL AND NATIONAL ELECTRICAL CODES TO PREVENT SERIOUS ELECTRICAL SHOCKS.

